



ARTEX ELT 3000 / ARTEX ELT 3000 HM Emergency Locator Transmitter



Description, Operation, Installation and Maintenance Manual
Y1-03-0269 Rev. K

ATA Code #25-62-36

ARTEX PRODUCTS / ACR ELECTRONICS, INC.
 DESCRIPTION, OPERATION, INSTALLATION AND MAINTENANCE MANUAL
 ELT 3000 / ELT 3000 HM

This manual includes data for the following equipment:

Component	Labeled Part No.	Purchase Part No.
Emergency Locator Transmitter	A3-06-2796-8 (ARTEX ELT 3000)	8221
	A3-06-2796-9 (ARTEX ELT 3000 HM)	8231
2-Wire Remote Switch	A3-06-2759	8304
5-Wire Remote Switch	345-6196	345-6196
Install Kit	455-7422	455-7422
Mounting Tray	A3-06-2793	8316
Antenna, Rod, White	110-338	110-338
Antenna, Rod, Black	110-338-01	110-338-01
Antenna, Blade, White	110-340	110-340
Antenna, Blade, Gray w/protective edge	110-340-01	110-340-01
Antenna, Blade, White	110-341	110-341
Antenna, Whip	110-343	110-343
Cable, Coaxial, BNC to BNC, 6 ft.	611-6013-04	611-6013-04
Battery Assembly, LiMnO₂	A3-06-2863	8315
External Buzzers	452-6505	452-6505
	130-4004	130-4004

NOTICES

THE INFORMATION CONTAINED HEREIN IS NOT PROPRIETARY.

Information in this manual is subject to change without notice. ACR Electronics, Inc. makes no warranty, expressed or implied, with regard to this manual, including but not limited to any implied warranties of merchantability, fitness for a particular purpose, and non-infringement. In addition, ACR Electronics, Inc. makes no warranty with regard to the documentation or data contained herein. ACR Electronics, Inc. is not liable in the event of incidentals, special, consequential, or any other damages in connection with or arising from furnishing, performance, or use of this manual.

For further information contact Sales, ACR Electronics, Inc., 5757 Ravenswood Rd, Fort Lauderdale, FL 33312. Telephone (954) 981-3333.

AIRWORTHINESS LIMITATIONS

The Airworthiness limitations section is FAA approved and specifies inspections and other maintenance required under 14 CFR§ 43.16 and 91.403, unless an alternative program has been approved.

IMPORTANT NOTICE

ACR Electronics, Inc. will be responsible for full distribution and revisions of ICA's (Instructions for Continued Airworthiness). For inquiries regarding the content and currency of this manual, contact ACR Electronics, Inc., 5757 Ravenswood Rd, Fort Lauderdale, FL 33312. Telephone (954) 981-3333.

ARTEX PRODUCTS / ACR ELECTRONICS, INC.
DESCRIPTION, OPERATION, INSTALLATION AND MAINTENANCE MANUAL
ELT 3000 / ELT 3000 HM
TABLE OF CONTENTS

TABLE OF CONTENTS	3
LIST OF ACRONYMS, ABBREVIATIONS AND DEFINITIONS	6
LIST OF FIGURES	9
RECORD OF REVISIONS	10
SERVICE BULLETIN LIST	11
LIST OF EFFECTIVE PAGES.....	12
INTRODUCTION	13
1. Manual Usage	13
A. General	13
B. Application	13
2. Model Description	14
A. ELT 3000.....	14
3. Approvals	14
A. ELT	14
B. Battery	14
C. RTCA DO-160G Compliance	15
4. Frequency Allocation	16
A. Application	16
B. Discussion	16
5. References	16
A. Regulatory Documents	16
B. Other Documents.....	17
DESCRIPTION AND OPERATION	18
1. Description	18
A. Functional Overview.....	18
B. System Components	19
2. OPERATION.....	22
A. Overview	22
B. Normal Operation	22
C. Manual Activation.....	22
D. ELT Reset.....	22
E. Functional Check.....	24
3. SPECIFICATIONS	24
A. Environmental and Physical	24
B. Electrical	25
C. Antenna	26
TEST AND FAULT ISOLATION	27
1. Inspection and Test Regulatory Requirements	27
A. United States.....	27
B. Canada.....	27

ARTEX PRODUCTS / ACR ELECTRONICS, INC.
DESCRIPTION, OPERATION, INSTALLATION AND MAINTENANCE MANUAL
ELT 3000 / ELT 3000 HM

C.	Other Countries	27
2.	Inspection and Test Procedures	28
A.	Checklist.....	28
B.	Preparation.....	28
C.	Coax Cable and Wiring Connections Inspection – Item 1	28
D.	Mounting Tray and Hardware Inspection – Item 2	29
E.	Battery Pack Inspection – Item 3	29
F.	G-Switch Functional Check – Item 4a	29
G.	G-Switch Functional Check (Helicopter Models Only)– Item 4b.....	30
H.	Performance Test Setup	30
I.	121.5 MHz Frequency Measurement and Audio Modulation Check– Items 5a and 5b.....	31
J.	121.5/243 MHz Frequency Measurement and Audio Modulation Check– Items 5a and 5b	31
K.	121.5 MHz Power Output Measurement – Item 5c	32
L.	243 MHz Power Output Measurement – Item 5c	32
M.	406 MHz Frequency Measurement – Item 5d	32
N.	406 MHz Power Output Measurement – Item 5e	32
O.	Current Draw Test – Item 5f.....	34
P.	Digital Message Verification – Item 5g.....	35
Q.	ELT Reset Check – Item 5h	35
R.	Installed Transmitter / Antenna Test – Item 6	35
S.	Antenna Test – Item 7	36
T.	Inspection and Test Documentation – Item 8	36
3.	Fault Isolation.....	37
A.	Self-Test.....	37
B.	GNSS Self-Test	37
C.	Troubleshooting.....	42
REMOVAL.....		43
1.	ELT	43
A.	ELT Removal	43
2.	Battery	45
A.	Battery Removal	45
3.	Material or Equipment Return	46
A.	Shipment Information	46
B.	Return Material Authorization.....	46
INSTALLATION		47
1.	Regulatory Requirements and Guidelines.....	47
A.	For US Registered aircraft:	47
B.	TSO C126b, Paragraph D.....	47
C.	FAA.....	47
D.	Canada.....	47
E.	Other Countries	48
F.	RTCA.....	48
2.	Mounting Tray	49
A.	Location	49
B.	Installation	51
C.	ELT-3000 Conversion Tray.....	52
3.	Antenna	53
A.	General	53
B.	Location	53

ARTEX PRODUCTS / ACR ELECTRONICS, INC.
DESCRIPTION, OPERATION, INSTALLATION AND MAINTENANCE MANUAL
ELT 3000 / ELT 3000 HM

C.	Installation General Info	53
4.	Remote Switch.....	57
A.	Location	57
B.	Installation	57
5.	Buzzer	58
A.	Location	58
B.	Installation	58
6.	Wiring	59
A.	General Considerations and Recommendations	59
B.	Remote Switch Harness Fabrication.....	62
C.	ELT 22-Pin Plug Installation	63
7.	ELT Installation and Test.....	65
A.	Installation	65
B.	Harness ELT Circular Connector Sealing	66
C.	Installation Documentation	66
8.	Battery Pack Installation.....	67
A.	Battery Installation and Reinstallation	67
ILLUSTRATED PARTS LIST		69
1.	Introduction.....	69
A.	Purpose.....	69
B.	IPL Usage Guide	69
2.	Manufacturer Name and Address	69
A.	Ordering Information	69
APPENDIX A – ELT REGISTRATION.....		74
1.	Background Information	74
A.	Hex ID Code (15-Hex ID)	74
B.	Reason for Registration	74
C.	Registration Information Resources.....	74
2.	Registration	75
A.	Responsibility.....	75
B.	Required Information	75
C.	Where to Register	75
APPENDIX B – PROGRAMMING ADAPTER OPTION		76
1.	Description and Operation	76
A.	Purpose.....	76
B.	Physical Description	76
C.	Functional Description	76
D.	Operation	77
2.	Installation and Programming	77
A.	General	77
B.	Wiring	78
C.	Assembly.....	79
D.	Installation	79
E.	PA Programming	80
F.	Example Programming Scenarios	80
G.	Aircraft ID Verification Test.....	81

ARTEX PRODUCTS / ACR ELECTRONICS, INC.
DESCRIPTION, OPERATION, INSTALLATION AND MAINTENANCE MANUAL
ELT 3000 / ELT 3000 HM

LIST OF ACRONYMS, ABBREVIATIONS AND DEFINITIONS

<u>Term</u>	<u>Definition</u>
AC	Advisory Circular – Federal Aviation Administration (USA) bulletin with special information. For the purposes of this document, the acronym AC does not refer to electrical alternating current.
AWG	American Wire Gauge - An electrical wire diameter standard. Look for this acronym in front of or following a wire size number.
BNC CONNECTOR	A coax cable connector having 50Ω impedance and used for RF signal connections.
CAR	Canadian Aviation Regulations – The rules and regulations governing the manufacture, certification, operation, maintenance and alteration of aircraft in Canada.
CFR	Code of Federal Regulations – The general and permanent rules published in the Federal Register by the executive departments and agencies of the Federal Government. Title 14, "Aeronautics and Space", contains the FARs.
CIRCULAR CONNECTOR	Round connectors – connector for low voltage/current signals and electrical currents.
CONTAINER	The term "Container", within the context of this document, refers to a device designed to suppress RF signals, such that the broadcast of an ELT placed in the container cannot reach the SAR satellite system.
COSPAS-SARSAT	The international search and rescue consortium, that governs the international satellite-based search and rescue distress alert detection and information distribution system. For a complete description, go to the official web site for the International Cospas-Sarsat Program, http://www.cospas-sarsat.int .
DER	Designated Engineering Representative – An individual qualified and designated by the FAA to approve, or recommend approval, of technical data to the FAA.
DRIP LOOP	Extra wire length used to form a U-shaped bend in a wire or cable. Water or other fluids will flow down to the bottom of the loop and drip off. Electrical connections are made at the top of the loop.
ELT	Emergency Locator Transmitter – ELTs are installed on aircraft and used to send emergency signals to the SAR satellite system. The word "Beacon" is associated with these devices.
ELT 3000 HM	ELT 3000 Helicopter Model.
EMI	Electromagnetic Interference – An undesirable disturbance that affects an electrical circuit due to either electromagnetic conduction or electromagnetic radiation emitted from an external source; also called radio frequency interference or RFI.
EUROCAE	European Organization for Civil Aviation Equipment – EUROCAE documents are widely referenced as a means of compliance to European Technical Standard Orders (ETSOs) and other regulatory documents.
FAA	Federal Aviation Administration – The United States government agency for aircraft safety and regulation.

ARTEX PRODUCTS / ACR ELECTRONICS, INC.
DESCRIPTION, OPERATION, INSTALLATION AND MAINTENANCE MANUAL
ELT 3000 / ELT 3000 HM

FAR	Federal Aviation Regulations – The rules and regulations governing the manufacture, certification, operation, maintenance, repair and alteration of aircraft in the United States.
FORM 337	FAA Form 337 is required when a major repair and/or major alteration is performed on an aircraft. Refer to FAR, Part 43, Appendix A and the definitions of Major Repair/Alteration contained in FAR, Part 1, for guidance.
FSDO	Flight Standards District Office – FAA district offices responsible for aircraft certification, operation, maintenance and modification issues, approvals and enforcement.
G-SWITCH	Velocity switch that detects sudden deceleration and is used to automatically activate an ELT; may also be referred to as a “crash sensor”.
LED	Light Emitting Diode – Semiconductor device that emits light when current is passed through it. Usually used as a status or warning indicator.
MIL	The three-letter acronym that stands for “Military” and precedes military specifications and standards numbers (e.g., MIL-W-2828 would indicate a wire specification and MIL-STD-2828 would indicate a standard).
P/N	Part Number – Refers to an ACR part number, unless otherwise noted.
PLUG	The term “Plug”, within the context of this document, refers to the male half of an electrical connector.
RECEPTACLE	The term “Receptacle”, within the context of this document, refers to the female half of an electrical connector.
RF	Radio Frequency – The range of electromagnetic radiation that constitutes the radio spectrum and corresponds to the frequency of alternating current electrical signals used to produce and detect radio waves.
RTCA	RTCA Inc. – Organization that makes recommendations for airworthiness; refer to http://www.rtca.org/aboutrtca.asp for more information.
RTV	A rubbery silicon-based adhesive typically used to prevent vibration problems and water intrusion.
SAR	Search and Rescue
SCREEN ROOM	Refers to a room designed to block RF signals, such that the broadcast of an ELT placed in the screen room cannot reach the SAR satellite system.
SERVICE LOOP	A length of wire or cable at the connection point, of sufficient length to allow a component to be withdrawn from its mounting position and disconnected from its associated wiring.
TETHER	A cord or similar device that anchors something movable to a stationary point or anchors two items together, such that they cannot become separated beyond the length of the tether.
TSO	Technical Standard Order – A TSO is a minimum performance standard issued by the FAA for specified materials, parts, and appliances used on civil aircraft.
UTC	Coordinated Universal Time – A time standard based on International Atomic Time. UTC is the time system used in aviation and is often associated with Greenwich Mean Time (GMT) and/or “Zulu” time.
VHF	Very High Frequency – The 30 MHz to 300 MHz radio frequency band.

ARTEX PRODUCTS / ACR ELECTRONICS, INC.

DESCRIPTION, OPERATION, INSTALLATION AND MAINTENANCE MANUAL

ELT 3000 / ELT 3000 HM

VSWR

Voltage Standing Wave Ratio – The ratio of the amplitude of a partial standing wave at an antinode (maximum) to the amplitude at an adjacent node (minimum), in an electrical transmission line. An ideal transmission line would have a VSWR of 1:1.

ARTEX PRODUCTS / ACR ELECTRONICS, INC.
 DESCRIPTION, OPERATION, INSTALLATION AND MAINTENANCE MANUAL
 ELT 3000 / ELT 3000 HM
LIST OF FIGURES

Figure 1 ARTEX ELT 3000 Beacon and Mounting Tray	19
Figure 2 Remote Switch Front View	19
Figure 3 Buzzer	20
Figure 4 Battery Pack Assembly	21
Figure 5 Antennas	21
Figure 6 ELT Orthogonal Axes	30
Figure 7 Performance Test Setup	31
Figure 8 Current Draw Test Setup	34
Figure 9 Short & Long 406 MHz Message Examples	35
Figure 10 ELT Removal Sequence	43
Figure 11 Metal Strap Opening	44
Figure 12 Battery Pack Removal	45
Figure 13 ARTEX ELT 3000 Outline & Dimensions	49
Figure 14 ELT 3000 Metal Strap Minimum Clearance Dimensions	50
Figure 15 Typical Mounting Tray Installation	51
Figure 16 Conversion Tray	52
Figure 17 Rod Antenna 110-338/110-338-01 Outlines and Dimensions	54
Figure 18 Blade Antenna 110-340/110-340-01 Outlines and Dimensions	55
Figure 19 Blade Antenna 110-341 Outline and Dimensions	55
Figure 20 Whip Antenna 110-343 Outline and Dimensions	56
Figure 21 Remote Switch Outline and Dimensions	57
Figure 22 Buzzer Outline and Dimensions	58
Figure 23 Wiring Diagram	60
Figure 24 Harness ELT 22-Pin Plug Arrangement	63
Figure 25 ELT Installation Sequence	65
Figure 26 Battery Pack Installation	67
Figure 27 ELT 3000 Main Assembly and Installation	70
Figure 28 Harness Components	71
Figure 29 Antennas	73
Figure 30 Programming Adapter	76
Figure 31 Programming Adapter Interface Wiring Diagram	78
Figure 32 Programming Adapter Installation	80

ARTEX PRODUCTS / ACR ELECTRONICS, INC.
 DESCRIPTION, OPERATION, INSTALLATION AND MAINTENANCE MANUAL
 ELT 3000 / ELT 3000 HM
RECORD OF REVISIONS

REVISION	CHANGE	DATE	REVISION	CHANGE	DATE
A	W/I 05-EN-05	3/10/16			
B	ECO 16385	6/15/16			
C	ECO 16504	12/7/16			
D	ECO 16638	4/11/17			
E	ECO 16714	7/20/17			
F	ECO 16792	11/17/17			
G	ECO 17024	2/28/19			
H	ECO 17084	1/20/2020			
J	ECO 17261	4/7/2020			
K	ECO 17300	5/28/2020			

ARTEX PRODUCTS / ACR ELECTRONICS, INC.
 DESCRIPTION, OPERATION, INSTALLATION AND MAINTENANCE MANUAL
 ELT 3000 / ELT 3000 HM

LIST OF EFFECTIVE PAGES

SUBJECT	PAGE	DATE	SUBJECT	PAGE	DATE
Title Page	1	5/28/20	Test and Fault Isolation (cont.)	42	5/28/20
Notices	2	5/28/20	Removal	43	5/28/20
Table of Contents	3	5/28/20		44	5/28/20
	4	5/28/20		45	5/28/20
	5	5/28/20		46	5/28/20
List of Acronyms, Abbreviations and Definitions	6	5/28/20	Installation	47	5/28/20
	7	5/28/20		48	5/28/20
	8	5/28/20		49	5/28/20
List of Figures	9	5/28/20		50	5/28/20
Record of Revisions	10	5/28/20		51	5/28/20
Service Bulletin List	11	5/28/20		52	5/28/20
List of Effective Pages	12	5/28/20		53	5/28/20
Introduction	13	5/28/20		54	5/28/20
	14	5/28/20		55	5/28/20
	15	5/28/20		56	5/28/20
	16	5/28/20		57	5/28/20
	17	5/28/20		58	5/28/20
Description and Operation	18	5/28/20		59	5/28/20
	19	5/28/20		60	5/28/20
	20	5/28/20		61	5/28/20
	21	5/28/20		62	5/28/20
	22	5/28/20		63	5/28/20
	23	5/28/20		64	5/28/20
	24	5/28/20		65	5/28/20
	25	5/28/20		66	5/28/20
	26	5/28/20		67	5/28/20
Test and Fault Isolation	27	5/28/20		68	5/28/20
	28	5/28/20	Illustrated Parts List	69	5/28/20
	29	5/28/20		70	5/28/20
	30	5/28/20		71	5/28/20
	31	5/28/20		72	5/28/20
	32	5/28/20		73	5/28/20
	33	5/28/20	Appendix A	74	5/28/20
	34	5/28/20		75	5/28/20
	35	5/28/20	Appendix B	76	5/28/20
	36	5/28/20		77	5/28/20
	37	5/28/20		78	5/28/20
	38	5/28/20		79	5/28/20
	39	5/28/20		80	5/28/20
	40	5/28/20		81	5/28/20
	41	5/28/20			

ARTEX PRODUCTS / ACR ELECTRONICS, INC.
DESCRIPTION, OPERATION, INSTALLATION AND MAINTENANCE MANUAL
ELT 3000 / ELT 3000 HM
INTRODUCTION

1. Manual Usage

A. General

- 1) All references to the ARTEX ELT 3000 include the ARTEX ELT 3000 HM unless otherwise specified.
- 2) This manual describes the operation, installation and maintenance of the ARTEX ELT 3000 emergency locator transmitter (ELT). The information is provided to ensure initial and continued airworthiness. Information presented in this manual is accurate at the time of printing, but is subject to change. Refer to the ARTEX web site at www.acrartex.com for the latest information and any updates to this manual.
- 3) Information on the Cospas-Sarsat emergency locator beacon registration requirements and procedures is provided in Appendix A – ELT Registration on page 74.
- 4) Web links provided in this manual were accurate at time of printing but may be subject to change.
- 5) ACR Electronics reserves the right to add approved components to the ELT system; including but not limited to antennas, remote switches and coaxial cables. These changes are approved as “minor changes” pursuant to FAR 21, Subpart O for TSO holders.
- 6) Regulatory references contained herein are generally confined to Web links provided in this manual, these were accurate at time of printing, but may be subject to change. Consult your national aviation authority for applicable requirements.

B. Application

- 1) This manual constitutes supporting data/documentation for the ARTEX ELT 3000, including:
 - a) Description and Operation
 - b) Test and Fault Isolation (includes inspection criteria)
 - c) Removal
 - d) Installation
 - e) Registration
 - f) Illustrated Parts List
- 2) Consult your national aviation authority for applicable requirements.
- 3) In the United States, the ARTEX ELT 3000 must be installed and maintained in accordance with the requirements herein, as well as 14 CFR, FAR Parts 43 and 91, and other airworthiness requirements, as applicable.
- 4) In Canada, the ARTEX ELT 3000 must be installed and maintained in accordance with the requirements herein as well as Canadian Aviation Regulations (CAR); Part V, Paragraph 551.104 as well as other CAR airworthiness requirements, as applicable. In the absence of any inspection requirements from national regulatory authorities, operators should follow the annual inspection procedures outlined in Inspection and Test Regulatory Requirements, subsection United States on page 27.
- 5) ARTEX ELT 3000 installation and maintenance in all other countries must comply with the requirements herein as well as applicable national airworthiness requirements.
- 6) The accessories (i.e. remote switch and antennas) referenced in this manual are those most commonly associated with the ARTEX ELT 3000. Other options, such as an alternative remote switch configuration or a navigation interface, should be installed and maintained in accordance with instructions specific to the accessory.

NOTE: Contact ACR Electronics, Inc. for optional accessories approved for use with ARTEX ELT 3000s.

ARTEX PRODUCTS / ACR ELECTRONICS, INC.
DESCRIPTION, OPERATION, INSTALLATION AND MAINTENANCE MANUAL
ELT 3000 / ELT 3000 HM

- 7) To ensure proper operation, only parts listed in the Illustrated Parts List of this manual or those recommended by ACR Electronics, Inc. may be used as replacement parts for the ARTEX ELT 3000.

2. Model Description

A. ELT 3000

- 1) The ARTEX ELT 3000 is a type AF (Automatic Fixed) beacon, which transmits on 121.5, 243 and 406 MHz.
- 2) The housing and mounting tray are made of impact-resistant polycarbonate-polyester plastic.
- 3) An installation kit, cockpit remote switch, coax cable, audible buzzer and fixed antennas are available.

3. Approvals

A. ELT

- 1) FAA TSO C126b, type AF
 - a) This article meets the minimum performance and quality control standards required by a technical standard order (TSO). Installation of this article requires separate approval.
- 2) Transport Canada
- 3) Industry Canada
- 4) ETSO-2C126a
- 5) Cospas-Sarsat

B. Battery

CAUTION: LITHIUM BATTERY SAFETY CONCERNS INCLUDE THE POSSIBILITY OF FIRE, VENTING VIOLENTLY, AND VENTING OF TOXIC GASES.

- 1) The lithium battery packs used on the ARTEX ELT 3000 are certified under TSO C142a.

NOTE: The conditions and tests for TSO approval of this article are minimum performance standards. Those installing this article, on or in a specific type or class of aircraft, must determine that the aircraft installation conditions are within the TSO standards. TSO articles must have separate approval for installation in an aircraft. The article may be installed only according to 14 CFR part 43 or the applicable airworthiness requirements. Lithium cell and battery safety concerns include the possibility of fire and venting of toxic gases.

- 2) If the battery is installed by a third party, it must be ascertained whether it is an ARTEX Authorized Service center. To find an authorized service center, go to <http://www.acrartex.com/where-to-buy/find-a-battery-service-provider/>

ARTEX PRODUCTS / ACR ELECTRONICS, INC.
 DESCRIPTION, OPERATION, INSTALLATION AND MAINTENANCE MANUAL
 ELT 3000 / ELT 3000 HM

C. RTCA DO-160G Compliance

- 1) DO-160G Environmental Categories:
 [F1]BB[204a][S(C)U(G)]XR28XSZZAZ[ZCX][204a]M[282828][2828]28X
- 2) The DO-160G environmental categories breakdown is detailed in Table 1.

CAT	SECTION	DESCRIPTION	COMMENTS
F1	4.0	Temperature/Altitude	-20 °C to +55 °C , Altitude +55,000 ft.
B	5.0	Temperature Variation	B = 5°C/min
B	6.0	Humidity	
DO-204a	7.0	Operational Shocks and Crash Safety	500 & 100 G's , ED-62A/DO-204A in lieu of RTCA DO-160G test
[S(C)U(G)]	8.0	Vibration	
X	9.0	Explosion Atmosphere Test	Not Applicable
R	10.0	Waterproofness	Continuous Stream
X	11.0	Fluid Susceptibility	Not Applicable
X	12.0	Sand and Dust	Not Applicable
X	13.0	Fungus Resistance Test	Not Applicable
S	14.0	Salt Fog	
Z	15.0	Magnetic Effect Test	
Z	16.0	Power Input Test	
A	17.0	Voltage Spikes	
Z	18.0	AF Susceptibility	
ZCX	19.0	Induced Signal Susceptibility	
DO-204a	20.0	RF Susceptibility	
M	21.0	RF Emissions	
[282828]	22.0	Lightning Induced Transient Susceptibility	Not Applicable
[2828]	23.0	Lightning Direct Effects	Not Applicable
X	24.0	Icing Test	Not Applicable
X	25.0	Electrostatic Discharge Test	
X	26.0	Fire, Flammability Test	Fire Resistance ED-62A Optional for ELT(AF)
RTCA DO-204a Conditions		Categories	Section
Shock		500 G's 4 ms	Para. 2.3.4.1
Crash Safety		100 G's 23 ms	Para. 2.6.3.2
Impact			Para. 2.3.4.2
Crush			Para. 2.3.4.3
Flame			Para. 2.3.7.1

ARTEX PRODUCTS / ACR ELECTRONICS, INC.
DESCRIPTION, OPERATION, INSTALLATION AND MAINTENANCE MANUAL
ELT 3000 / ELT 3000 HM

Table 1 Environmental Categories

4. Frequency Allocation

A. Application

- 1) This section addresses the 406.0 - 406.1 MHz transmitter frequencies which are assigned to the distress frequency band.

B. Discussion

- 1) The product identification label on each ELT specifies the transmission frequencies of the individual ELT. The ARTEX ELT 3000 transmits a frequency of 406.040 MHz. Allocation of frequencies, based on beacon population per specified frequency band, is controlled by Cospas-Sarsat.
- 2) The frequency references throughout this manual for the 406 MHz component should be considered the baseline and the specific frequency indicated on the ELT product label should be substituted.

5. References

A. Regulatory Documents

- 1) The following regulatory documents are referred to herein. When referring to such documents, it is the manual user's responsibility to ensure they are using the latest revision or release of such documents. To that end, the revision designator of specific document numbers has not been included, with the exception of the RTCA document listing, which reflects the revision level of the documents at the time of TSO testing and certification.
- 2) Except in the case of a printed manual, reference documents available on-line or source locations are linked to applicable web sites.
- 3) United States
 - a) [AC 43-9](#), "Maintenance Records"
 - b) [AC 43-210](#), "Standardized Procedures for Requesting Field Approval of Data, Major Alterations, and Repairs"
 - c) [AC 43.9-1](#), "Instructions for Completion of FAA Form 337"
 - d) [AC 43.13-1](#), "Acceptable Methods, Techniques, and Practices – Aircraft Inspection and Repair"
 - e) [AC 43.13-2](#), "Acceptable Methods, Techniques, and Practices - Aircraft Alterations"
 - f) [CFR Title 47, Part 87](#), "Aviation Services"
 - g) [FAR, Part 43](#), "Maintenance, Preventive Maintenance, Rebuilding, and Alteration"
 - h) [FAR, Part 91](#), "General Operating and Flight Rules"
 - i) [TSO-C126b](#), "406 MHz Emergency Locator Transmitter (ELT)"
 - j) [TSO-C142a](#), "Non-Rechargeable Lithium Cells and Batteries"
- 4) Canada
 - k) [CAR, Part V](#), "Airworthiness"
 - l) [CAR, Part VI](#), "General Operating and Flight Rules"
- 5) COSPAS-SARSAT
 - m) [C/S G.005](#), "Cospas-Sarsat Guidelines on 406 MHz Beacon Coding, Registration and Type Approval"
 - n) [C/S S.007](#), "Handbook of Beacon Regulations"
- 6) RTCA – The following documents are available for purchase at RTCA's Web Site, www.rtca.org, or by mail:
 - a) DO-160G, "Environmental Conditions and Test Procedures for Airborne Equipment"
 - b) DO-178C, "Software Considerations in Airborne Systems and Equipment Certification"
 - c) DO-182, "Emergency Locator Transmitter (ELT) Equipment Installation and Performance"

ARTEX PRODUCTS / ACR ELECTRONICS, INC.
DESCRIPTION, OPERATION, INSTALLATION AND MAINTENANCE MANUAL
ELT 3000 / ELT 3000 HM

- d) DO-204A, "Minimal Operational Performance Standards for 406 MHz Emergency Locator Transmitters (ELT)"

B. Other Documents

- 1) The ARTEX model beacon programmer or beacon test set operating manuals are available on-line at the ACR products web site at www.acrartex.com, or from ACR Electronics upon request:
 - a) Document number 570-1000, "453-1000 ELT Test Set Operation"
 - b) Document number 570-2000, "453-2000 Handheld Programmer Operations Manual"
 - c) Document number Y1-03-0272, "A3-06-2824 Handheld Programmer Operations Manual"
 - d) Document number Y1-03-0273, "A3-06-2825 ELT Test Set Operation"

ARTEX PRODUCTS / ACR ELECTRONICS, INC.
DESCRIPTION, OPERATION, INSTALLATION AND MAINTENANCE MANUAL
ELT 3000 / ELT 3000 HM

DESCRIPTION AND OPERATION

1. Description

A. Functional Overview

- 1) The ELT automatically activates during a crash and transmits a continuous standard sweep tone on the 121.5 frequency. The first digitally encoded 406 MHz burst will start transmitting. Approximately every 50 seconds thereafter, the 406 MHz transmitter turns on and transmits an encoded signal of either 440ms or 520ms, depending on the beacon programming protocol. This message is received by the Cospas-Sarsat Search and Rescue (SAR) satellite system.
- 2) The information contained in the message includes:
 - a) Beacon serial number, or
 - b) Aircraft identification or registration number
 - c) Country of registration and country code
 - d) Position coordinates, if beacon is programmed to receive position data from the aircraft navigation system
- 3) When the 406 MHz signal is detected by the Cospas-Sarsat satellite LEO (Low Earth Orbit system), a position is calculated and the 121.5 MHz signal is used to home in on the crash site.
- 4) The 406 MHz transmitter will operate in this mode for 24 hours and then shut down automatically. The 121.5 MHz transmitter (homer transmitter) will continue to operate until the batteries are exhausted, which is at least 50 hours.
- 5) The location accuracy of the 406 MHz transmitter is typically 3 km. If position information is extracted from the aircraft navigation system, the accuracy improves to approximately 100 meters. The ELT 3000 is able to accept position information from either the ARINC 429 or RS-232 (A/B Protocol) but not both at the same time.
- 6) The 406 MHz digital message provides search and rescue authorities the information to contact the owner/operator of the aircraft through information contained in a database. The database may include:
 - a) Type of aircraft and aircraft registration number
 - b) Owner address and telephone number
 - c) Alternate emergency contact
- 7) Previous to February 1, 2009, the Cospas-Sarsat system used the 121.5 MHz signal as an aid to determine beacon location. As of this date, the use of this signal for satellite location has been terminated, as the accuracy proved too poor. 406 MHz capable ELTs replace the older Class B beacons.
- 8) Aircraft communications transceivers are not capable of receiving 406 MHz transmissions; therefore, the only methods of monitoring the ELT are:
 - a) The blinking cockpit remote switch LED
 - b) The buzzer
 - c) 121.5 MHz transmissions, which can be monitored using the aircraft communications transceiver or an AM radio tuned to 121.5 MHz

ARTEX PRODUCTS / ACR ELECTRONICS, INC.
 DESCRIPTION, OPERATION, INSTALLATION AND MAINTENANCE MANUAL
 ELT 3000 / ELT 3000 HM

B. System Components

- 1) The ARTEX ELT 3000 housing assembly and tray are made of high impact, fire resistant, polycarbonate-polyester plastic. (see Figure 1).

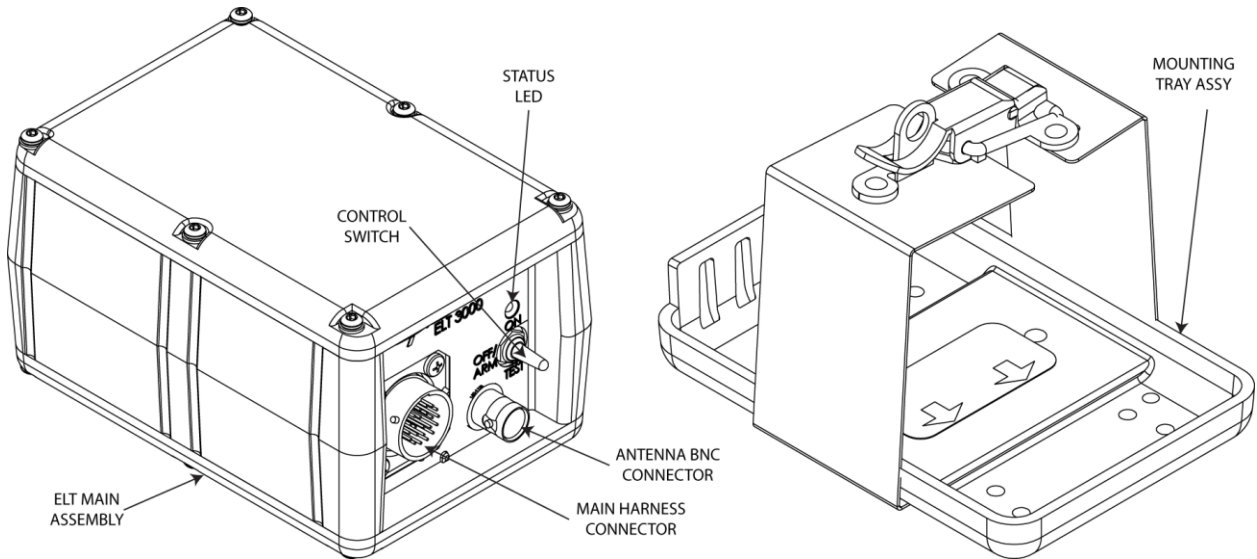


Figure 1 ARTEX ELT 3000 Beacon and Mounting Tray

- 2) The cockpit-mounted remote switch assembly includes a status LED and control switch. The switch allows the operator to manually activate and reset the ELT for testing (see Figure 2).

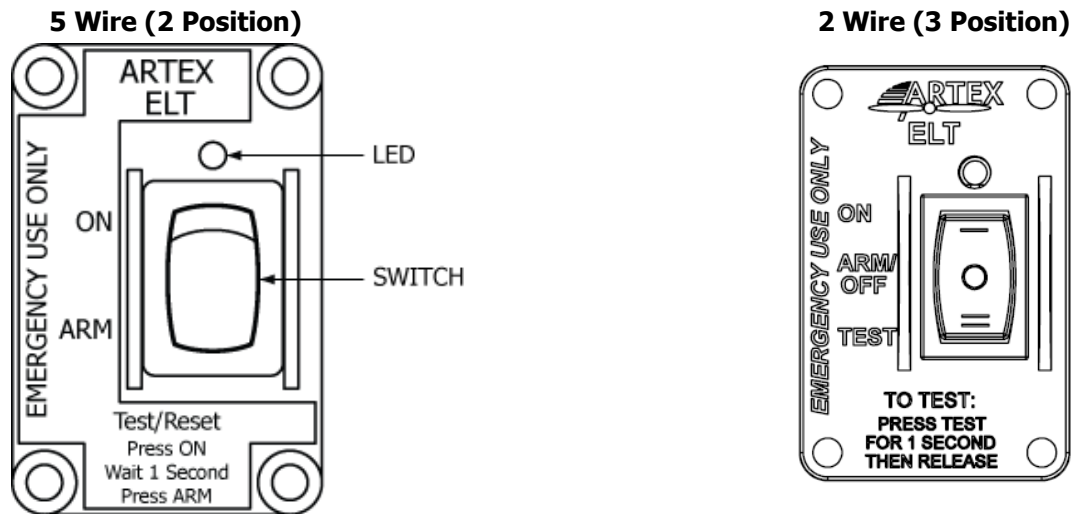
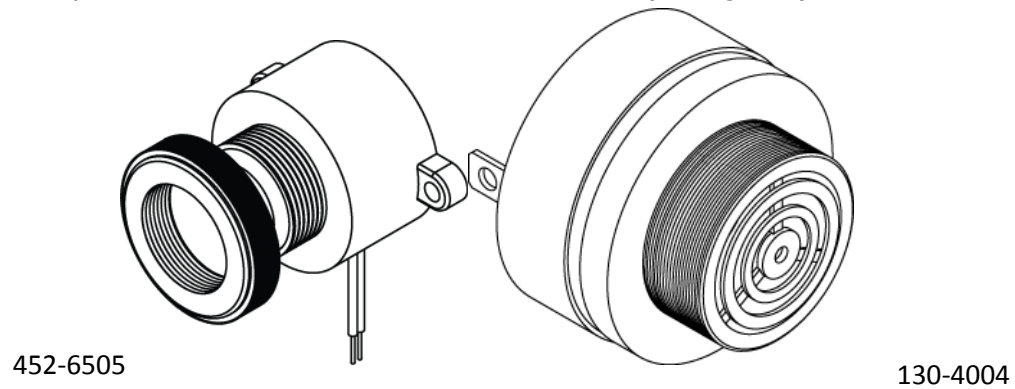


Figure 2 Remote Switch Front View

ARTEX PRODUCTS / ACR ELECTRONICS, INC.
DESCRIPTION, OPERATION, INSTALLATION AND MAINTENANCE MANUAL
ELT 3000 / ELT 3000 HM

- 3) The buzzer provides an audible alert when the ELT is active (see Figure 3).



- 4) Navigation Interface (RS 232): The ELT is able to receive RS-232 Aviation Protocol with sentence structures verified at Low, Ambient, and High Temperatures.

NOTE: Aviation Protocol could also be referenced as ARTEX protocol.

The RS-232 electrical characteristics conform to EIA Standard RS-232C. Only Transmit Data Line (TD) and Receive Data Line (RD) are used.

NOTE: NMEA is not a requirement and is not supported.

- 5) Aviation Protocol (Garmin Name) and the ARTEX A/B Protocol expects the following characteristics:
- a) Baud rate of 9600
 - b) ASCII data
 - c) Eight data bits
 - d) One stop bit
 - e) No parity
- 6) The ELT is able to receive Aviation Protocol (ARTEX A/B formatted) sentences.
- 7) ARINC 429: When Aircraft power is present, the ARTEX ELT 3000 receives and decodes ARINC 429 GPS position data using ARINC labels octal 310 and octal 311. This data will include the navigation data coming from the aircraft's Flight Management System (FMS). A 22-pin Mil-standard circular connector is used for programming and ARINC interface functions. The ARINC 429 Rx stops when aircraft power is lost, whether the unit is activated or not activated. The ARINC 429 Rx is started when aircraft power is reapplied, whether the unit is activated or not activated. The ARTEX ELT 3000 recognizes bad ARINC messages and location information from those messages are not transmitted to the Cospas-Sarsat satellites. The selected ARINC integrated circuit will perform error correction.

ARTEX PRODUCTS / ACR ELECTRONICS, INC.
 DESCRIPTION, OPERATION, INSTALLATION AND MAINTENANCE MANUAL
 ELT 3000 / ELT 3000 HM

- 8) The battery pack assembly for the ARTEX ELT 3000 consists of two "D" size Lithium Manganese Dioxide cells. The battery pack also contains the single axis G-Switch.

NOTE: The ELT Battery has a useful life of six years.

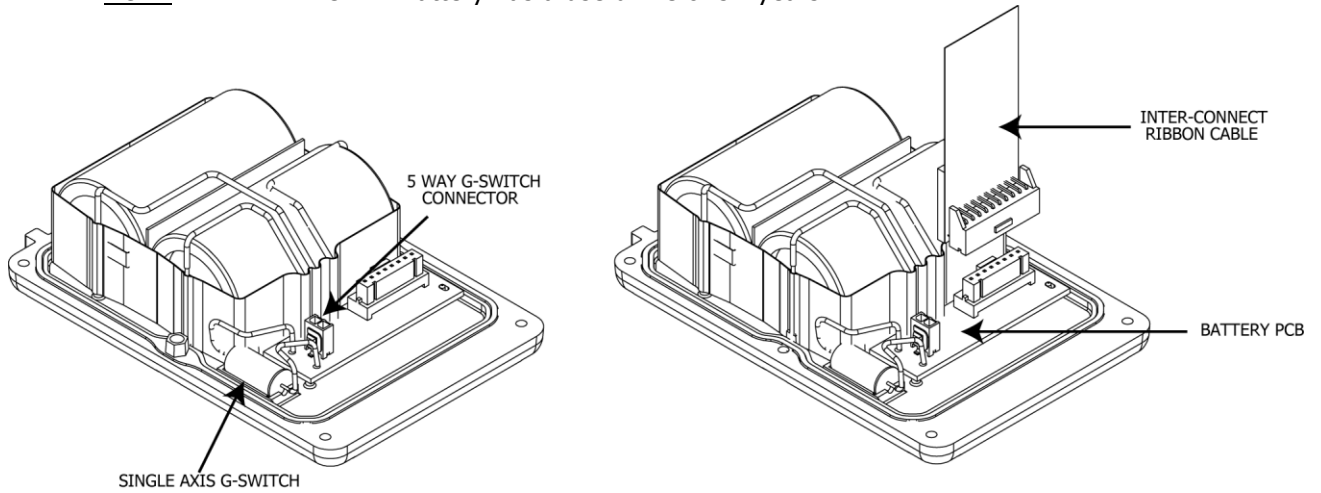


Figure 4 Battery Pack Assembly

- 9) There are 6 antennas that are used with the ARTEX ELT 3000. These are shown in Figure 5. Selection of the proper antenna is dependent upon the application.

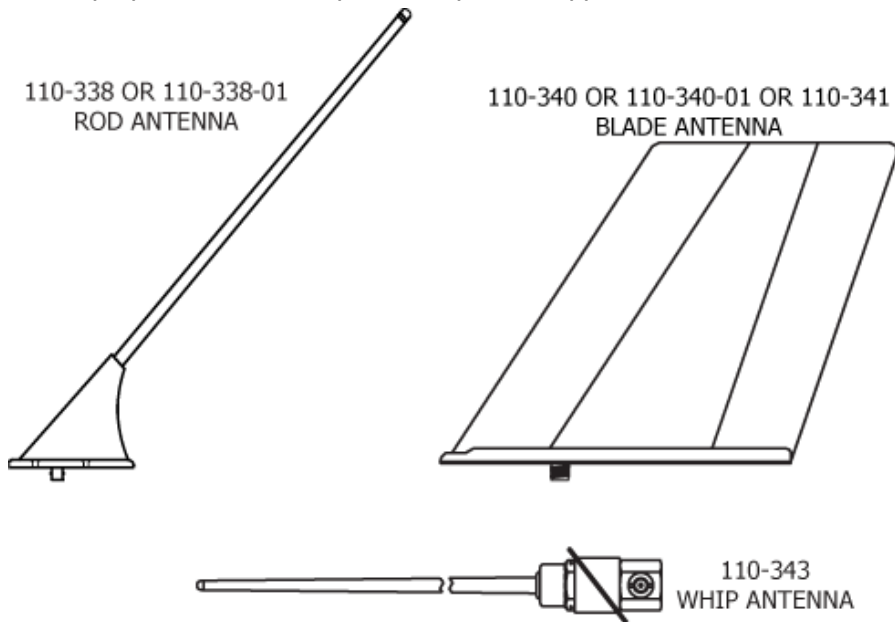


Figure 5 Antennas

ARTEX PRODUCTS / ACR ELECTRONICS, INC.
DESCRIPTION, OPERATION, INSTALLATION AND MAINTENANCE MANUAL
ELT 3000 / ELT 3000 HM

2. OPERATION

A. Overview

- 1) A primary feature of the ARTEX ELT 3000 is its simplicity of operation.
- 2) A connection jumper ("G-switch loop") between pins 12 and 13 on the connector enables the G-switch circuitry, allowing activation when the acceleration threshold is exceeded. The jumper is located in the mating connector of the cockpit remote switch wire harness. When this connector is removed, the ELT can be manipulated without the possibility of activation.
- 3) With the G-switch loop in place, neither the cockpit remote switch nor the ELT local switch can be positioned to prevent automatic activation. With the G-switch loop open (removed), the ELT cannot be activated by dropping, rough handling or during shipping.
- 4) Activation is indicated by the presence of the swept audio tone transmitted on the 121.5 MHz signal, the buzzer sounding and the flashing cockpit remote switch and/or ELT local LED. All these indicators immediately begin upon ELT activation.
- 5) To deactivate the beacon, either the position of the local ELT switch or the cockpit remote switch must be changed from "ON" to "ARMED". If activation is from the G-switch, the switch position must first be set to "ON" then changed to "ARMED".

NOTE: The ELT CANNOT be disarmed or disabled from the cockpit. Cockpit operation is limited to activating and resetting the ELT.

- 6) A warning buzzer is required by TSO C126b to indicate ELT activation when the aircraft is not operating. The buzzer is powered by the ELT and is not dependent upon the aircraft power for operation. The indicator 'beeps' periodically, with the periods between pulses increasing after 12 hours.

B. Normal Operation

NOTE: The beacon will immediately begin transmitting at 121.5 MHz and will continue to do so until the ELT is deactivated or 24 hours have expired.

NOTE: The beacon will begin transmitting at 406 MHz approximately 50 seconds after activation and will continue to do so at approximately 50 second intervals until the ELT is deactivated or 24 hours have expired.

- 1) In normal operation, the ELT is 'ready to activate'. The cockpit remote switch and the local switch on the ELT are both in the "ARM" position. The G-switch loop (connection jumper between pins 12 and 13 of the connector) is in place to enable the ELT. In this condition, if the ELT movement causes the G-switch threshold to be exceeded, the beacon will activate.

C. Manual Activation

- 1) The ELT may be manually activated by placing either the remote switch or the ELT local switch in the ON position and leaving it there for more than 5 seconds. This forces the ELT to activate, regardless of whether or not the G-switch loop is in place.

NOTE: The ELT cannot be reset if either the cockpit remote switch or the ELT local switch is in the "ON" position.

D. ELT Reset

- 1) If the ELT is inadvertently activated (for indications, see 4) above), reset it by moving either the cockpit remote switch or the local ELT switch to the "ON" position, and then move it back to the "ARM" position. If the switch is already in the "ON" position, move it to the "ARM" position.

ARTEX PRODUCTS / ACR ELECTRONICS, INC.
DESCRIPTION, OPERATION, INSTALLATION AND MAINTENANCE MANUAL
ELT 3000 / ELT 3000 HM

ARTEX PRODUCTS / ACR ELECTRONICS, INC.
 DESCRIPTION, OPERATION, INSTALLATION AND MAINTENANCE MANUAL
 ELT 3000 / ELT 3000 HM

E. Functional Check

- 1) A monthly functional check is recommended to verify operational status of the ELT. Perform in accordance with ELT Reset Check – Item 5h on page 35.

3. SPECIFICATIONS

A. Environmental and Physical

- 1) Table 2 lists the environmental and physical specifications of the ELT 3000.

CRITERIA	PARAMETER	CHARACTERISTIC
Temperature	Storage	-55°C to +85°C
	Operating	-20°C to +55°C
Mechanical	Vibration	4.12 <i>g</i> , 10 Hz to 2,000 Hz
	Shock	500 <i>g</i> for 4 ms
	Crashworthiness	100 <i>g</i> for 23 ms
	Humidity	95% for 10 days
	Penetration	55 lbs from 6 in (25 kg from 15 cm)
	Crush	1,000 lbs (455 kg)
	Altitude	+55,000 ft (16,764 m)
Automatic Activation	Primary G-switch	4.5 ± 0.5 ft/sec (2.3 G)
Manual Activation	Unit or remote switch	
Weight	ELT complete w/Battery Pack, and Mounting Tray	2.0 lbs (0.907 kg)
Dimension (L x W x H)	ELT Complete w/Battery Pack, and Mounting Tray	3.4" x 5.5" x 3.8" (86.36 x 139.7 x 96.52mm)
Software/Firmware	In accordance with RTCA/DO-178c, Level D	

Table 2 Environmental Specifications

ARTEX PRODUCTS / ACR ELECTRONICS, INC.
 DESCRIPTION, OPERATION, INSTALLATION AND MAINTENANCE MANUAL
 ELT 3000 / ELT 3000 HM

B. Electrical

1) Table 3 lists the electrical specifications of the ELT 3000.

CRITERIA	PARAMETER	CHARACTERISTIC
Operating Frequencies	406.040 MHz	± 1 kHz (16KOG1D)
	121.5 / 243 MHz	± 0.005% (A3X)
Modulation	406 MHz	Bi-Phase L (G1D)
	121.5 / 243 MHz	Amplitude Modulation (A3X)
Transmitter Duty Cycle	406 MHz	440 or 520 ms (± 1%), every 50 seconds (± 5%)
	121.5 / 243 MHz	Intermittent
Peak Effective Radiated Power (EIRP)	406 MHz	EIRP 5 W (37dBm) for 24 hrs @ -20°C to +55°C
	121.5 / 243 MHz	EIRP min 100mW (min 20 dBm) for 50 hrs @ -20°C to +55°C
Occupied Bandwidth	406 MHz	1.9 KHz max
	121.5 / 243 MHz	3.2 KHz max
Spurious Emissions	406 MHz	Per RTCA/DO-204A
	121.5 / 243 MHz	Per CFR Title 47 (FCC), Part 87
Battery	Type of Cell	Lithium Manganese Dioxide
	Voltage	5.9 (typical)
	Amp-Hour Rating	11.1

Table 3 Electrical Specifications

ARTEX PRODUCTS / ACR ELECTRONICS, INC.
 DESCRIPTION, OPERATION, INSTALLATION AND MAINTENANCE MANUAL
 ELT 3000 / ELT 3000 HM

C. Antenna

1) Table 4 lists the antenna specifications of the ELT 3000.

PARAMETERS	CHARACTERISTICS			
	110-340/-01 Tri-band	110-338/-01 Tri-band	110-341 Blade	110-343 Whip
Style	Blade	Rod	Blade	Whip
Frequencies	121.5, 243, 406 MHz			
VSWR	121.5 MHz/243 MHz – 2.0:1 Max.	121.5 MHz/243 MHz – 1.75:1 Max	121.5 MHz/243 MHz – – 2.5:1 Max	
	406 MHz – 1.5:1 Max	406 MHz – 1.5:1 Max	406 MHz – 1.5:1 Max	
Polarization	Vertical Monopole			
Radiation Pattern	As per Cospas-Sarsat T.007 and RTCA DO-160G			
Impedance (ohms)	50 Nominal			
Weight	1.45 lbs (0.66kg)	0.45 lbs (0.20 kg)	0.80 lbs (0.36 kg)	0.31 lbs (0.14 kg)
Coax Cable	RG-142			
Connector	BNC Female			
Dimensions (Base to Tip)	7.75" (197 mm)	15.5" (394 mm)	10.1" (257 mm)	17.1" (435 mm)

Table 4 Antenna Specifications

ARTEX PRODUCTS / ACR ELECTRONICS, INC.
DESCRIPTION, OPERATION, INSTALLATION AND MAINTENANCE MANUAL
ELT 3000 / ELT 3000 HM
TEST AND FAULT ISOLATION

1. Inspection and Test Regulatory Requirements

A. United States

- 1) In accordance with FAR Part 91, Subpart C, § 91.207 (d), the ELT must be inspected within 12 calendar months after the last inspection for:
 - a) Proper installation
 - b) Battery corrosion
 - c) Operation of controls and crash sensor; and
 - d) The presence of a sufficient signal radiated from its antenna.
- 2) All maintenance shall be performed in accordance with FAR Part 43, Appendix D, which requires the following inspections at each annual or 100-hour inspection:
 - a) ELT and mount for improper installation
 - b) Wiring and conduits for improper routing, insecure mounting, and obvious defects
 - c) Bonding and shielding for improper installation and poor condition
 - d) Antenna, including trailing antenna, for poor condition, insecure mounting, and improper operation

B. Canada

- 1) CAR Part VI, Standard 625, Appendix C, requires the ELT to be inspected at intervals not exceeding 12 months.
- 2) All maintenance and testing shall be performed in accordance with the requirements of CAR Part V, Standard 571, Appendix G, which requires:
 - a) Corrosion inspection
 - b) Operational testing
 - c) Performance testing (not to be satellite receivable, i.e. in a Faraday cage), including:
 1. Measured peak power after 3 minutes of operation
 2. Measured frequency after 3 minutes of operation
 3. Audio modulation, which shall be recognizable as a typical ELT signal
 4. Measured current draw in the 'ARM' (OFF) and in the 'ON' position, as specified by the manufacturer
 5. The automatic activation system

C. Other Countries

- 1) For all other countries, maintenance and testing shall be conducted in accordance with the requirements of applicable national regulatory authorities and the requirements herein, as applicable. Local regulations and requirements shall take precedence.
- 2) In the absence of any inspection requirements from national regulatory authorities, operators should follow the annual inspection procedures outlined in Inspection and Test Regulatory Requirements, subsection United States above.

ARTEX PRODUCTS / ACR ELECTRONICS, INC.
 DESCRIPTION, OPERATION, INSTALLATION AND MAINTENANCE MANUAL
 ELT 3000 / ELT 3000 HM

2. Inspection and Test Procedures

A. Checklist

- 1) Table 5 provides a list of the ELT inspection and testing requirements, a copy of which may be used as a checklist to verify inspection and test completion. The item numbers in the table correspond to the item identifiers for each task.

NOTE: Items 5a through 5h are mandatory requirements only in Canada, in addition to meeting the other inspection and test requirements listed in Table 5.

ITEM NO.	DESCRIPTION	BY
1	Coax Cable and Wiring Connections Inspection	
2	ELT Mounting Tray and Hardware Inspection	
3	ELT Battery Pack Inspection	
4a	G-Switch Functional Check	
4b	G-Switch Functional Check (Helicopter Models Only)	
5a	121.5 /243 MHz Frequency Measurement	
5b	Audio Modulation Check	
5c	121.5 /243 MHz Power Output Measurement	
5d	406 MHz Frequency Measurement	
5e	406 MHz Power Output Measurement	
5f	Current Draw Test	
5g	Digital Message Verification	
5h	ELT Reset Check	
6	Installed Transmitter Test	
7	Antenna Test	
8	Inspection and Test Documentation	

Table 5 ELT Inspection & Checklist

B. Preparation

- 1) Remove the ELT. See ELT on page 43 for instructions.
- 2) Remove the battery. See Battery on page 45 for instructions.

C. Coax Cable and Wiring Connections Inspection – Item 1

- 1) Check remote switch harness connector for corrosion, bent or broken pins and other damage.
- 2) Check antenna coax cable connectors for corrosion, bent or broken center conductor, and other damage.

NOTE: Pay special attention to the center conductor, which is prone to retracting into the connector housing.

ARTEX PRODUCTS / ACR ELECTRONICS, INC.
DESCRIPTION, OPERATION, INSTALLATION AND MAINTENANCE MANUAL
ELT 3000 / ELT 3000 HM

D. Mounting Tray and Hardware Inspection – Item 2

- 1) Inspect mounting tray for cleanliness, cracks, and other damage
- 2) Check mounting tray hardware for corrosion and security

E. Battery Pack Inspection – Item 3

CAUTION: THE BATTERY PACK CONTAINS ELECTROSTATIC DISCHARGE SENSITIVE (ESD) COMPONENTS AND, AS SUCH, IT MUST BE HANDLED WITH CARE. IF POSSIBLE, WEAR A GROUNDED WRIST STRAP WHEN HANDLING THE BATTERY PACK DURING INSPECTION AND MAINTENANCE ACTIVITIES. TAKE PARTICULAR CARE TO AVOID TOUCHING THE EXPOSED CIRCUIT BOARD AND CONNECTOR PINS ON THE BOARD.

CAUTION: DO NOT USE ANY FOREIGN CLEANER ON ELT COMPONENTS. SUCH CHEMICAL AGENTS CAN BE HIGHLY DESTRUCTIVE TO THE MOUNTING HARDWARE AND ELT HOUSING, CAUSING CRACKING, FRACTURING AND OTHER DAMAGE.

- 1) Check battery cells, components, and connectors for corrosion and other damage. There should be no corrosion of the battery cells. The presence of (any) corrosion is cause to reject the battery pack.
- 2) Check wiring for breaks, damaged insulation, and improper or damaged connections.
- 3) Check housing for cracks and other visual damage.
- 4) Check the battery pack expiration date.
- 5) Replace the battery pack if any of the following conditions are true:
 - a) After use in an emergency
 - b) After an inadvertent activation of unknown duration
 - c) When the total of all known transmissions exceeds one hour
 - d) On or before battery replacement (expiration) date

NOTE: The new expiration date for replacing the battery must be legibly marked on the outside of the transmitter and entered in the aircraft maintenance record.

F. G-Switch Functional Check – Item 4a

- 1) Reinstall the battery in accordance with Battery Pack Installation on page 67.
- 2) Perform this functional check within the first 5 minutes after the hour (UTC), as required by AC 43.13-1, Chapter 12, § 12-22, Note 3.
- 3) Notify any nearby control tower of your intentions.
- 4) Install the 151-5060 G-switch Loop Test Plug on the ELT receptacle or jumper ELT receptacle pins 12 and 13.
- 5) Verify the ELT switch is in the "ARM" position.
- 6) Monitor 121.5 MHz on an AM receiver.
- 7) Activate the ELT by using a rapid forward (i.e., throwing) motion in the direction of the arrow on the ELT label, followed by a rapid reversing action.
- 8) Verify activation by listening for the aural sweep tone on the receiver. The LED on the ELT housing will also begin to flash, indicating activation. For proof, the AM radio will verify that the RF output is operational.
- 9) Reset the ELT by toggling the control switch to the ON position and then back to the "ARM" position.

ARTEX PRODUCTS / ACR ELECTRONICS, INC.
DESCRIPTION, OPERATION, INSTALLATION AND MAINTENANCE MANUAL
ELT 3000 / ELT 3000 HM

CAUTION: IF ACTIVATED, THE ELT WILL SEND A LIVE BURST SIGNAL TO SEARCH AND RESCUE SATELLITES IF LEFT ACTIVE FOR 50 SECONDS OR MORE. BE SURE TO SWITCH ELT BACK TO THE "ARM" POSITION AS SOON AS THE SWEEP TONE IS VERIFIED.

G. G-Switch Functional Check (Helicopter Models Only)– Item 4b

- 1) This procedure outlines the steps required to test the five-axis G-switch installed in ARTEX Helicopter Model (HM) ELTs.
- 2) Testing of the primary and five axis G-switch can be accomplished by simulating a rapid deceleration in the required direction of the G-switch. Although the "football throw" test as outlined in item 4a is sufficient to test the forward G-switch, a sturdy padded surface, such as a padded chair or foam-covered workbench, is required to simulate the G-force required to trigger the remaining axes. The padding of the surface is required to prevent damage to the ELT.

NOTE: The fixed wing G-switch is triggered by approximately 2.3 Gs of deceleration (axis +X in Figure 6), whereas the five-axis G-switch is triggered by 12.5 Gs of deceleration (axes -X, -Y, +Y, -Z, and +Z in Figure 6), and requires a significant force to activate. The higher G-rating precludes inadvertent activation in helicopter applications but will allow for activation during a mishap.

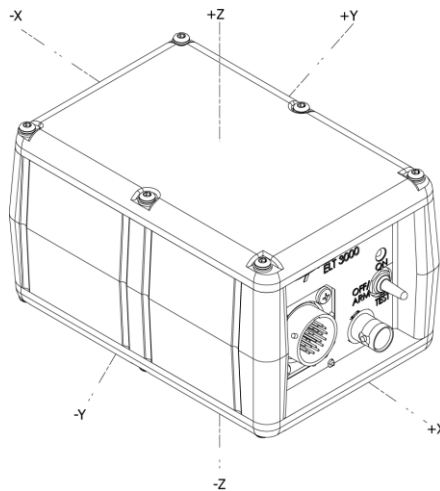


Figure 6 ELT Orthogonal Axes

- 3) Keep G-switch loop and 50-ohm load installed on the antenna port from Item 4a installed.
- 4) Utilizing the sturdy padded surface, hold the ELT 10 inches (26.1 Centimeters) above the test area and thrust down forcefully maintaining a level axis into the pad to test the -X axis (see Figure 6).
- 5) Repeat step 2 for the -Y, +Y, -Z, and +Z axes (see Figure 6).
- 6) Verify in each case that the ELT activates via G-switch trigger as indicated by the flashing LED. An auxiliary receiver set to 121.5 MHz should be used to detect the ELT signal.
- 7) Reset the ELT after each activation by toggling the ON/OFF switch to ON and then to OFF to reset the ELT.

H. Performance Test Setup

- 1) Maximum Battery Test Time
 - a) The ELT 3000 firmware continually keeps track of the beacon run time. The beacon controller microprocessor writes the operating time information to a memory IC in the battery pack,

ARTEX PRODUCTS / ACR ELECTRONICS, INC.
DESCRIPTION, OPERATION, INSTALLATION AND MAINTENANCE MANUAL
ELT 3000 / ELT 3000 HM

keeping the information up to date. Per FAA regulations, an ELT battery must be replaced if the operation time is greater than one hour.

- b) If the operation time exceeds one hour, an error indicator will be displayed when a self-test is performed (see Self-test section of this document). This does not affect the normal operation of the ELT 3000, but provides an indication to the user that the battery must be replaced, in order to comply with the FAA requirements. To minimize battery run time, carefully plan all testing and operation verifications, so to avoid unnecessary operation of the ELT.
 - c) In order to minimize battery usage, it is recommended that any annually required testing be scheduled with monthly scheduled Self-Test of the ELT.
- 2) Place the ELT in an RF enclosure or screen room to prevent RF emissions.
 - 3) For final airworthiness verification, ELT's own battery pack as the power source for these measurements should be used. An alternate power source should be used where lengthy servicing, other than the performance tests, is anticipated. Expired battery packs should be used if the airworthiness performance of the battery pack in the system is not required. The battery packs are capable of at least fifty (50) hours of operation at the end of six years useful life.
 - 4) To prevent damage to the measurement equipment from the 5W, 406 MHz burst, install an RF attenuator (rated 50 ohm) between the ELT antenna output and the measurement equipment. Typical attenuation is 30 dB, 50 ohm, and rated at 5 watts for 1/2-second duration (see Figure 7).

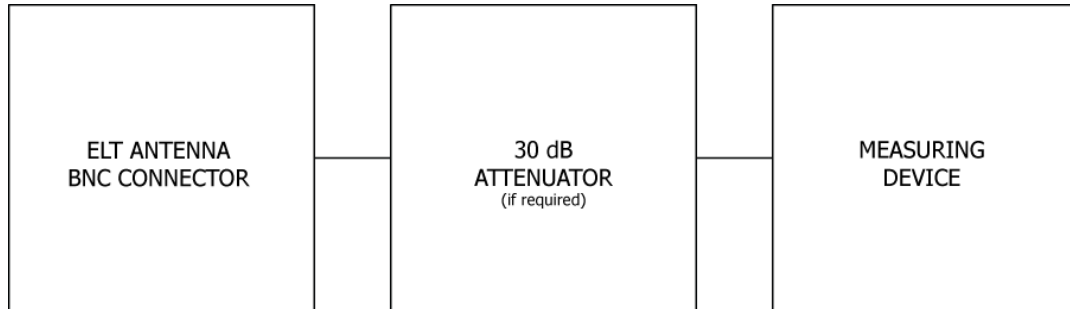


Figure 7 Performance Test Setup

WARNING: Any activity that uses the beacon's own battery power will advance the internal battery usage counter. Activities that are in addition to scheduled self-tests should be performed with an external power source or an expired battery pack. It is very important to follow instructions in this manual, when, during a scheduled self-test, the beacon informs the user (with seven beeps and flashes error code) to replace the battery pack. Not doing so, may result in the beacon not having adequate battery pack power for at least fifty (50) hours of operation at the end of the six year useful life.

I. 121.5 MHz Frequency Measurement and Audio Modulation Check– Items 5a and 5b

- 1) Connect the measuring device as specified in Figure 6 Performance Test Setup.
- 2) Activate the ELT by placing the control switch in the "ON" position.
- 3) Wait three minutes.
- 4) Perform an Audio Modulation Check (Item 5b) during the three-minute waiting period as follows:
 - a) Monitor 121.5 MHz on an AM receiver.
 - b) Listen for the downward swept tone on the receiver.
 - c) Measure the frequency. The frequency must be within the tolerance specified in Table 3 on page 25.

J. 121.5/243 MHz Frequency Measurement and Audio Modulation Check– Items 5a and 5b

- 1) Connect the measuring device as specified in Figure 7 Performance Test Setup on page 31.

ARTEX PRODUCTS / ACR ELECTRONICS, INC.
DESCRIPTION, OPERATION, INSTALLATION AND MAINTENANCE MANUAL
ELT 3000 / ELT 3000 HM

- 2) If not activated in the previous step, activate the ELT by placing the control switch in the ON position and wait 3 minutes.
- 3) Perform an Audio Modulation Check (Item 5b) during the three-minute waiting period as follows:
 - a) Monitor 243 MHz on an AM receiver.
 - b) Listen for the downward swept tone on the receiver. The audio should 'sound' like an ELT.
- 4) Measure the frequency (Item 5a). The frequency must be within the tolerance specified in Table 3 on page 25.

K. 121.5 MHz Power Output Measurement – Item 5c

- 1) Connect the measuring device, as specified in Figure 7 Performance Test Setup on page 31.
- 2) If not activated in the previous step, activate the ELT by placing the control switch in the ON position and wait 3 minutes.
- 3) Read the displayed amplitude for 121.5 MHz. The amplitude must be within the minimum specified for 121.5 MHz in Table 3 on page 25, at the terminal output.

L. 243 MHz Power Output Measurement – Item 5c

- 1) Connect the measuring device, as specified in Figure 7 Performance Test Setup on page 31.
- 2) If not activated in the previous step, activate the ELT by placing the control switch in the ON position and wait 3 minutes.
- 3) Read the displayed amplitude for 243 MHz. The amplitude must be within the minimum specified for 243 MHz in Table 3 on page 25, at the terminal output.

M. 406 MHz Frequency Measurement – Item 5d

CAUTION: POWER OUTPUT IS APPROXIMATELY 5 WATTS. BE SURE ADEQUATE ATTENUATION IS INSERTED BETWEEN THE ELT AND THE MEASURING INSTRUMENT.

- 1) Connect the measuring device, as specified in Figure 7 Performance Test Setup on page 31.
- 2) If not activated in the previous step, activate the ELT by placing the control switch in the ON position and wait 3 minutes.
- 3) Measure the frequency after the stabilization period. The frequency must be within the tolerance specified in Table 3 on page 25.

NOTE: The exact 406 MHz frequency is printed on the ELT product label.

N. 406 MHz Power Output Measurement – Item 5e

CAUTION: POWER OUTPUT IS APPROXIMATELY 5 WATTS. BE SURE ADEQUATE ATTENUATION IS INSERTED BETWEEN THE ELT AND THE MEASURING INSTRUMENT.

- 1) Connect the measuring device, as specified in Figure 7 Performance Test Setup on page 31.
- 2) If not activated in the previous step, activate the ELT by placing the control switch in the ON position and wait 3 minutes.
- 3) Read the displayed amplitude of the 406 MHz burst that follows the three-minute wait period. The amplitude must be within the minimum specified for 406 MHz in Table 3 on page 25, at the output terminal.

ARTEX PRODUCTS / ACR ELECTRONICS, INC.

DESCRIPTION, OPERATION, INSTALLATION AND MAINTENANCE MANUAL

ELT 3000 / ELT 3000 HM

- 4) Deactivate the ELT by placing the control switch in the "ARM" position.

ARTEX PRODUCTS / ACR ELECTRONICS, INC.
DESCRIPTION, OPERATION, INSTALLATION AND MAINTENANCE MANUAL
ELT 3000 / ELT 3000 HM

O. Current Draw Test – Item 5f

CAUTION: **EXERCISE EXTREME CAUTION TO AVOID A SHORT CIRCUIT CONDITION OF THE BATTERY PACK CONNECTIONS. THIS WILL BLOW A FUSE IN THE BATTERY PACK, FORCING REPLACEMENT.**

CAUTION: ALL ON STATE CURRENT MEASUREMENTS MUST BE MADE WITH THE ANTENNA OUTPUT TERMINATED BY A 50 OHM BNC TERMINATION 50 OHMS.

CAUTION: THE 406 MHZ SIGNAL PULSES EVERY 50 SECONDS (APPROXIMATE) AND MAY DRAW UP TO 4 AMPERES FOR ½ SECOND. MANY METERS WILL NOT RESPOND THIS FAST OR READ THIS TYPE OF WAVEFORM ACCURATELY. BECAUSE OF THIS, ACR ELECTRONICS DOES NOT RECOMMEND MEASURING THE 406 MHZ BURST CURRENT.

- 1) Verify the ELT control switch is in the "ARM" position.
- 2) Disconnect the battery pack from the ELT.
- 3) Install test fixture 8241 in the power circuit in series between the battery pack connector and the ELT connector (see Figure 8).

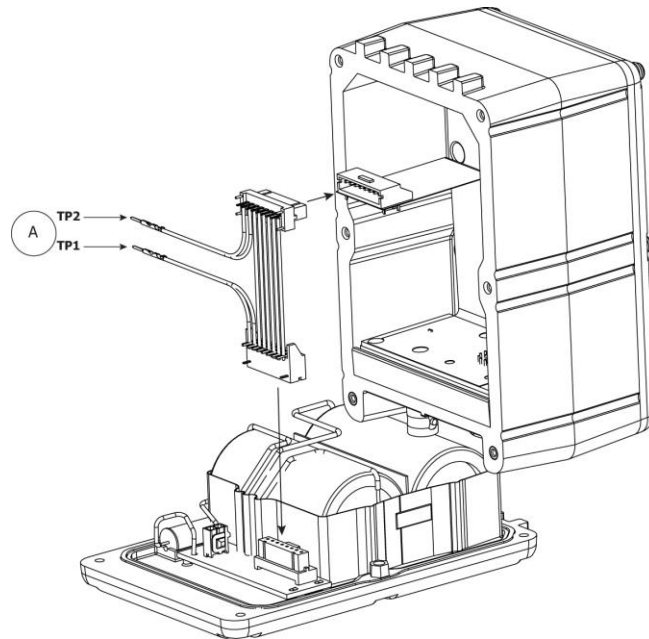


Figure 8 Current Draw Test Setup

- 4) Terminate the ELT RF output with a 50 Ω load.
- 5) Set the ammeter for the lowest possible scale and connect the leads to TP1 and TP2.
- 6) Measured current must be < 5 μ A (micro-amps).

CAUTION: **THE NEXT MEASUREMENT COULD CAUSE THE INTERNAL PROTECTION FUSE OF THE AMMETER TO BLOW, IF PRECAUTIONS ARE NOT OBSERVED.**

- 7) Set the ammeter current range to accommodate 4A (amp).
- 8) Activate the ELT.
- 9) Allow ELT to transmit a 406 MHz burst. This will occur 50 seconds after activation.

ARTEX PRODUCTS / ACR ELECTRONICS, INC.
 DESCRIPTION, OPERATION, INSTALLATION AND MAINTENANCE MANUAL
 ELT 3000 / ELT 3000 HM

- 10) Set the ammeter to read approximately 500 mA of current.
- 11) Observe reading. Current shall be $\leq 200\text{mA}$.
- 12) Deactivate the ELT.
- 13) Remove the test fixture and reinstall the battery pack in accordance with Battery Pack Installation on page 67.

Hints:

- a) Short the meter leads (at the meter) with a banana plug-type jumper lead to protect the fuses in the meter.
- b) Using a spectrum analyzer as a load device, detect when the 406 MHz burst has occurred.
- c) Remove the jumper and read the current just after the burst.
- d) Replace the shorting jumper before the next burst.

P. Digital Message Verification – Item 5g

- 1) Use ARTEX beacon readers (ARTEX P/N 453-1000, 453-2000, 8700, or 8701, or compatible tester) to test the transmitted digital message.
- 2) Connect the beacon tester to the ELT, per the instructions of the reader.
- 3) Perform a self-test by placing the control switch in the SELF-TEST position. Once the LED blinks once, release the switch. Example results are shown in Figure 9. Actual messages will vary depending on the protocol and information programmed into the ELT.
 - a) If the ELT is programmed with a location (long message) protocol and disconnected from the aircraft navigation system or interface device, the message will indicate "Position Invalid" in lieu of position data, as shown in the right hand example.

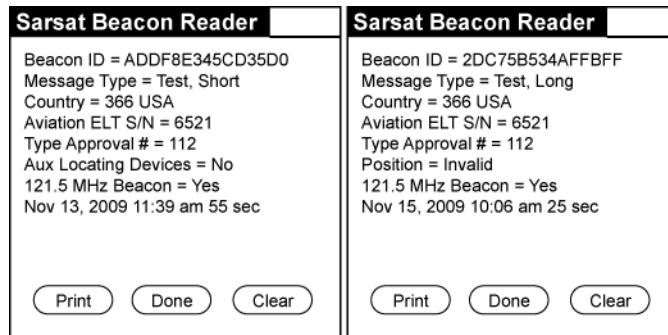


Figure 9 Short & Long 406 MHz Message Examples

Q. ELT Reset Check – Item 5h

- 1) Place the ELT control switch in the "ON" position.
- 2) Return the switch to the "ARM" position.
- 3) If the ELT is working properly, the LED will turn off.

R. Installed Transmitter / Antenna Test – Item 6

- 1) Re-install the ELT in Aircraft.
- 2) Perform the following functional check within the first 5 minutes after the hour (UTC), as required by AC 43.13-1, Chapter 12, § 12-22, Note 3.
- 3) Notify any nearby control tower of your intentions.
- 4) Tune an AM receiver to 121.5 MHz.

NOTE: A low-cost AM radio is suggested for this test, as the aircraft Communications Transceiver is very sensitive and may pick up a weak signal, even if the antenna is disconnected from the ELT.

ARTEX PRODUCTS / ACR ELECTRONICS, INC.
DESCRIPTION, OPERATION, INSTALLATION AND MAINTENANCE MANUAL
ELT 3000 / ELT 3000 HM

NOTE: THERE IS NO NEED TO ACTIVATE THE BEACON TO VERIFY 121.5 MHz PRESENCE.

- 5) Locate the radio approximately 20' to 30' from the antenna.
- 6) Perform a self-test in accordance with Self-Test on page 37. Perform self-test by moving the switch to "TEST" and hold until LED flashes one time, then release (cockpit remote switch to the "TEST" position).
- 7) Listen for 2 audible sweeps on the receiver, which takes about 1 second.
- 8) Verify the buzzer sounds upon activation.
- 9) Note the LED activity on the cockpit remote switch. If the ELT is working properly, the LED will stay on for approximately 1 second and then turn OFF.

NOTE: This test also completes the requirement to check ELT controls by verifying operation of the remote switch.

- 10) Refer to Table 6 on page 41 if the LED displays error code flashes.

S. Antenna Test – Item 7

- 1) Tune a low quality AM receiver (i.e., radio) to 121.5 MHz.

NOTE: The aircraft transceiver is not recommended for this test, because it is too sensitive to verify the integrity of the antenna system and it may pick up a weak signal even if the antenna is disconnected from the ELT. An AM radio provides a better level of confidence for this test.

- 2) Place the radio approximately six inches from the antenna.
- 3) Perform self-test by moving the switch to "TEST" and hold until LED flashed one time, then release (cockpit remote switch to the "TEST" position).

NOTE: Perform this test within the first five minutes after the hour (UTC).

- 4) Listen for 2 audible sweeps on the radio, which takes about 1 second. An audible signal verifies energy is being transmitted by the antenna.

T. Inspection and Test Documentation – Item 8

- 1) Make an appropriate entry in the aircraft maintenance records (i.e., logbook), including the date the ELT inspection and testing was satisfactorily completed.
- 2) For aircraft operating under Canadian authority, following satisfactory completion of performance testing, the date on which the test was performed shall be marked on the ELT external casing in a legible and permanent manner.

ARTEX PRODUCTS / ACR ELECTRONICS, INC.
DESCRIPTION, OPERATION, INSTALLATION AND MAINTENANCE MANUAL
ELT 3000 / ELT 3000 HM

3. Fault Isolation

A. Self-Test

- 1) The self-test checks certain critical functions in the beacon. Results of the test are displayed by a series of indications (flash codes), where the local LED, remote switch LED and buzzer(s) activate for ½ second ON, followed by ½ second OFF. Multiple flash codes are separated by periods of 1.0 second. If no errors are present, a 2 second flash is presented as a 'system ok' indication. This is suppressed if errors are present.

It is recommended that beacon Self-Test be performed on monthly basis for a maximum of 72 times during the recommended 6 year life of the battery.

NOTE: Distinct indication that 406 MHz, 121.5 MHz and 243 MHz RF power emitted is confirmed by observing any sequence of local LED pulse, remote light or buzzer, with an exception of four pulses of ½ second of the local LED, remote light, and buzzer, which indicate RF failure.

- 2) There are three methods of performing a self-test – one for the ELT unit switch, one for a 5-wire remote switch installation and another for the 2-wire, as follows:
 - a) 5-Wire Remote Switch (2 position switch):
 1. Set remote switch to "ON" position for approximately 1 second, until LED blinks one time, then return to "ARMED" position. Error codes will begin to display after approximately 5 seconds.

NOTE: If the ELT is left activated for longer than 2 seconds, no self-test will be performed upon turn off.

- b) 2-Wire Remote Switch (3 position switch):
 1. Push switch lever to "SELF-TEST" position for approximately 1 second, until LED blinks one time, then release. Error codes will begin to display after about 5 seconds.
 2. Regardless of how long the ELT has been in the active state, no self-test is performed at turn off using the 2-wire switch.
 - c) Switch located on the ELT:
 1. Push switch to "TEST" position for approximately 1 second, until LED blinks one time, then release. Error codes will begin to display after about 5 seconds.

B. GNSS Self-Test

- 1) The ELT software contains a "GNSS Self-Test" mode. The ELT design's GNSS Self-Test function verifies the operation of the Navigation System.

It is recommended that beacon GNSS Self-Test be performed on monthly basis for a maximum of 72 times during the recommended 6 year life of the battery.

NOTE: If the beacon is serialized with User Protocol, the sequence to initiate a GNSS Self-Test will be ignored and a normal Self-Test will be initiated instead.

- 2) There are three methods of performing a GNSS self-test – one for the ELT unit switch, one for a 5-wire remote switch installation and another for the 2-wire, as follows:
 - a) 5-Wire Remote Switch (2 position switch):

ARTEX PRODUCTS / ACR ELECTRONICS, INC.
DESCRIPTION, OPERATION, INSTALLATION AND MAINTENANCE MANUAL
ELT 3000 / ELT 3000 HM

1. Set remote switch to "ON" position until the LED blinks three times, then return to "ARMED" position.
 2. For the 5-wire switch LED, the I/O shall be an open collector and sink current from a remote switch LED that is supplied with aircraft power as defined in the software section.
- b) 2-Wire Remote Switch (3 position switch):

NOTE: The 2-wire switch LED is powered by the ELT.

1. Push switch lever to "SELF-TEST" position until the LED blinks three times, then release.
- c) Switch located on the ELT:
1. Set remote switch to "TEST" position until the LED blinks three times, then return to "ARMED" position.
- 3) The GNSS test will increment the GNSS test counter. The test will check to make sure the number of GNSS tests has not been exceeded. If the defined number exceeds the maximum GNSS count, the GNSS self-test will not start and will be indicated with 7 beeps at the beginning of the GNSS Self-Test.
 - 4) The processor will activate the I/O ports configured for navigation data and monitor if data is available.
 - 5) Activation sequence: During a GNSS self-test, the switch and unit red LED shall flash (on for 140 msec) once every 3 seconds until GPS location is captured or until 10 seconds expired.
 - 6) GNSS Self-tests must be done according to regulations under all of the following circumstances:
 - a) Once per quarter
 - b) After installations
 - c) When troubleshooting the ELT
 - 7) GNSS Self-Tests is limited to 72 times on a battery pack.

NOTE: To take advantage of the position information in the GNSS Self-Test, a 406 MHz decoder is necessary to demodulate the signal and to obtain position information sent out by the GNSS Self-Test.

NOTE: Distinct indication that 406 MHz, 121.5 MHz and 243 MHz RF power emitted is confirmed by observing any sequence of local LED pulse, remote light or buzzer, with an exception of four pulses of 1/2 second of the local LED, remote light, and buzzer, which indicate RF failure.

ARTEX PRODUCTS / ACR ELECTRONICS, INC.
 DESCRIPTION, OPERATION, INSTALLATION AND MAINTENANCE MANUAL
 ELT 3000 / ELT 3000 HM

Beeps & Flashes	Test Results	Indication
1	System OK	One pulse two second long of the local LED, remote light, and buzzer.
2	<p>Programming Adapter present but not programmed</p> <p>Programming Adapter not present but ELT options configured for Programming Adapter.</p> <p>Programming Adapter serial number failed validation.</p>	<p>Two ½ second pulses of the local LED, remote light, and buzzer.</p> <p>The self-test shall check that the onboard EEPROM that stores the 32 digit 406 MHz hexadecimal messages is not empty. If a message programming block is unavailable, is empty or does not pass checksum, an error shall be indicated.</p> <p>If the ELT is configured for a Programming Adapter but the Programming Adapter is not detected, fail self-test.</p> <p>If the ELT is configured for Programming Adapter but a memory mismatch is detected, fail self-test.</p> <p>If the Programming Adapter memory contents and ELT memory contents are different after the ELT attempts to re-program its Non-volatile memory, this error will be displayed.</p> <p>Read and/or write errors from/to the Programming Adapter.</p> <p>The self-test shall do a validation on the Programming Adapter serial number to verify it is of the correct length and all characters are ASCII characters. No further validation of the serial number will take place.</p>
3	Bad Antenna Load	<p>Three ½ second pulses of the local LED, remote light, and buzzer.</p> <p>The self-test shall check that coaxial cable and antenna are attached to the 406 MHz output. This is typically done by measuring reflected power/VSWR to see that a 50-ohm load is attached. Tolerances shall allow for coaxial cable loss. If the 50-ohm load is not detected then an error will be indicated as mentioned above.</p>

ARTEX PRODUCTS / ACR ELECTRONICS, INC.
 DESCRIPTION, OPERATION, INSTALLATION AND MAINTENANCE MANUAL
 ELT 3000 / ELT 3000 HM

Beeps & Flashes	Test Results	Indication
4	Low Transmitter Power	<p>Four ½ second pulses of the local LED, remote light, and buzzer.</p> <p>The self-test shall check that the 406 MHz minimum output power level is greater than 35 dBm.</p> <p>Example: By checking that the battery voltage at the processor reads > 487 mV, which correlates to $(487\text{mV} * 781/100) = 3.80 \text{ V}$ at V_{bat} voltage. For self-tests at very cold temperature, the V_{bat} threshold is reduced to avoid false failures.</p> <p>The self-test shall also check the 121.5 and or 243 MHz output for presence and display an error code if not available. Threshold voltage is $\geq 600 \text{ mV}$ for both 121.5 and 243 MHz detection.</p> <p>PLL Lock Detect errors are also reported with this beep code.</p> <p>Note: Low power is suppressed if the load is bad (beep code 3 above).</p>
5	Navigation Data	<p>Five ½ second pulses of the local LED, remote light, and buzzer.</p> <p>If Navigation data is not being received and beacon is programmed with location protocol. If programmed with non-location protocol, this test is not executed.</p> <p>ARINC navigation data will not be received without aircraft power.</p>
6	G-Switch is not Enabled	<p>Six ½ second pulses of the local LED, remote light, and buzzer.</p> <p>The G-Switch loop is not enabled.</p>

ARTEX PRODUCTS / ACR ELECTRONICS, INC.
 DESCRIPTION, OPERATION, INSTALLATION AND MAINTENANCE MANUAL
 ELT 3000 / ELT 3000 HM

Beeps & Flashes	Test Results	Indication
7	Battery Life Exceeded or Low Battery Voltage	<p>Seven ½ second pulses of the local LED, remote light, and buzzer.</p> <p>The self-test shall check that the ELT battery has less than one hour of use. If the Battery exceeds one hour of use an error is displayed.</p> <p>The self-test shall check if there are read or write errors to the non-volatile memory in the battery pack. If there are any errors an error is displayed.</p> <p>The self-test shall do a validation on the Battery Pack serial number to verify it is of the correct length and all characters are ASCII characters. No further validation of the serial number will take place.</p>
8	Missing Identification	<p>Eight ½ second pulses of the local LED, remote light, and buzzer.</p> <p>If data such as the S/N or tail number is missing.</p>
9	Other Internal Error	<p>If any other unrecoverable errors are detected, a 9-beep code is displayed. If an error in this category is detected, only the 9-beep code is displayed. No other error codes are displayed.</p>
10	GNSS Test Error	<p>Ten ½ second pulses of the local LED, remote light, and buzzer.</p> <p>If there is no GPS data fixed during the GNSS test.</p> <p>This error is only indicated after a GNSS self-test, not a self-test.</p>

Table 6 Self-test Error Codes

ARTEX PRODUCTS / ACR ELECTRONICS, INC.
 DESCRIPTION, OPERATION, INSTALLATION AND MAINTENANCE MANUAL
 ELT 3000 / ELT 3000 HM

C. Troubleshooting

SYMPTOM	PROBABLE CAUSE	POSSIBLE SOLUTION
Remote switch LED always on (steady)	Improper wiring	Verify wiring
	Short circuit	Verify integrity of all crimp and solder connections
ELT will not turn off	Turn ELT "OFF" using local switch – If ELT turns off:	
	Defective remote switch harness reset circuit wiring	Check wiring continuity and repair as necessary
	Defective remote switch	Replace remote switch
	If ELT does not turn "OFF" using local switch:	
	ELT defective	Remove battery pack to disable ELT and return ELT to factory for servicing
Flash Errors	Please Refer to Table 6	

Table 7 ELT Troubleshooting Guide

- 1) The ARTEX ELT 3000 is powered by the Aircraft, with typical applied voltage of 28 VDC. However, ARTEX ELT 3000 will function normally by aircraft voltage as low as 14 VDC.
- 2) Presence of Aircraft power does not influence the ARTEX ELT 3000 primary function of bursting a distress signal when activated.

ARTEX PRODUCTS / ACR ELECTRONICS, INC.
DESCRIPTION, OPERATION, INSTALLATION AND MAINTENANCE MANUAL
ELT 3000 / ELT 3000 HM
REMOVAL

1. ELT

A. ELT Removal

1) See Figure 10.

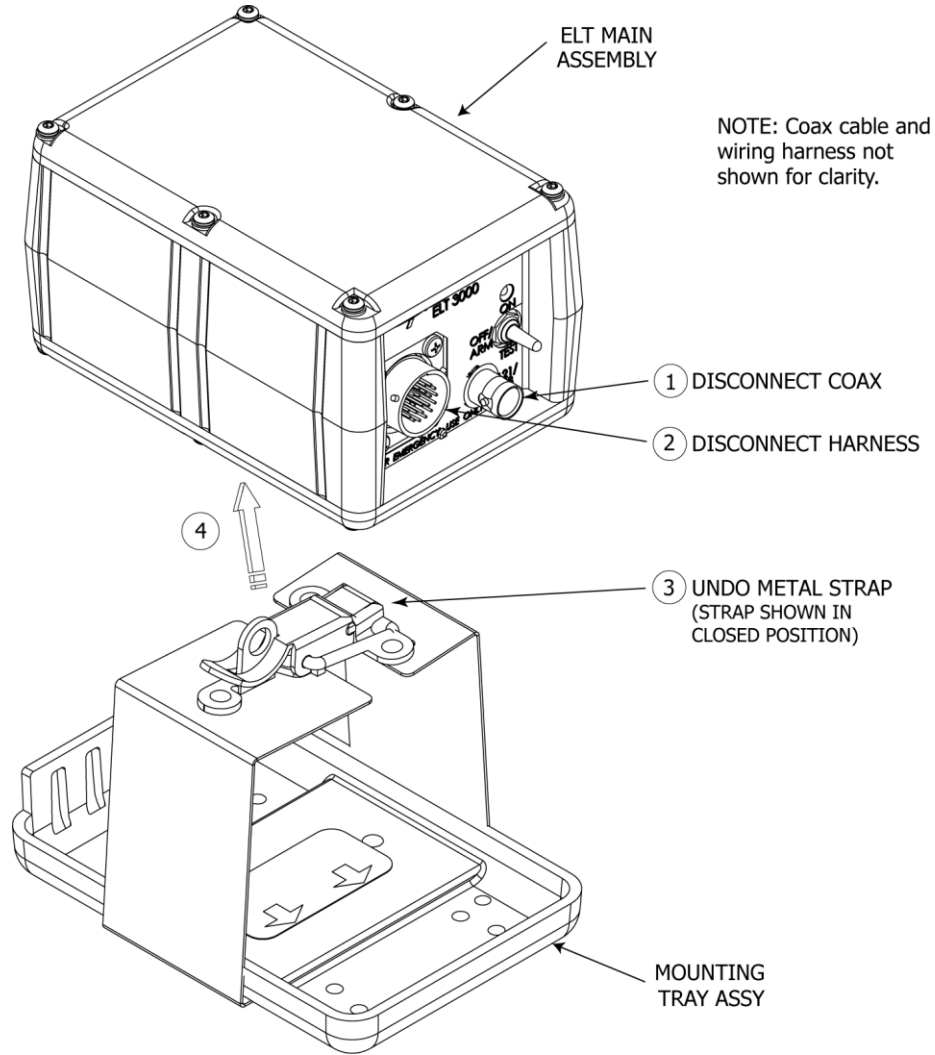


Figure 10 ELT Removal Sequence

2) Disconnect the antenna coax cable.

NOTE: Check the coax cable center conductor pin which is prone to retracting into the connector housing.

3) Remove remote switch harness circular plug.

4) Open the metal strap.

ARTEX PRODUCTS / ACR ELECTRONICS, INC.
DESCRIPTION, OPERATION, INSTALLATION AND MAINTENANCE MANUAL
ELT 3000 / ELT 3000 HM

NOTE 1: When opening the metal strap, use caution to avoid pinching your fingers in the latch. A flat screwdriver can be placed under the latch to 'spring' it open if needed.

NOTE 2: Never open the strap by prying it open from the top. Once the latch is disengaged, loosen the straps from the sides only, as shown by the arrows in Figure 11.

- 5) Slide the ELT up and out, and away from the mounting tray.

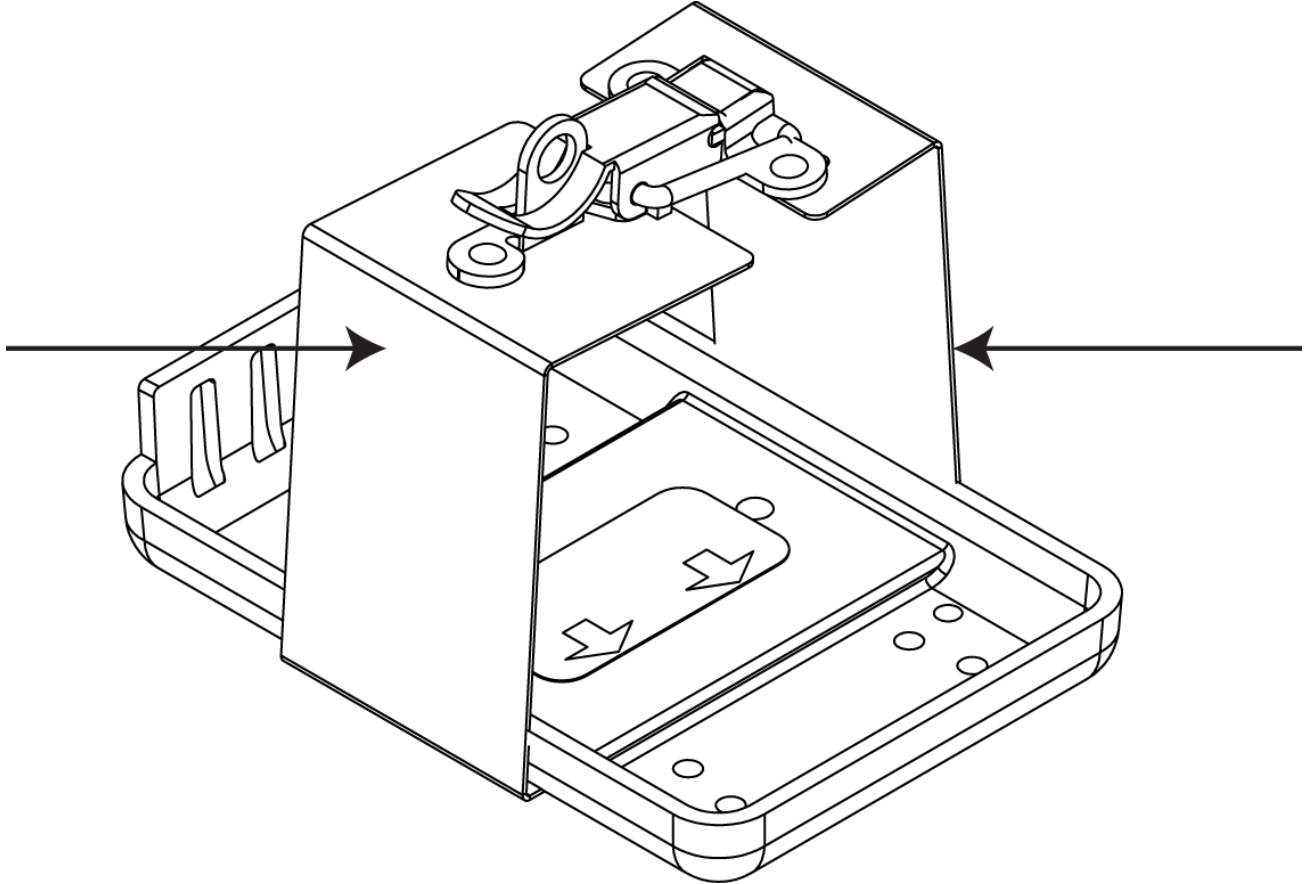


Figure 11 Metal Strap Opening

ARTEX PRODUCTS / ACR ELECTRONICS, INC.
DESCRIPTION, OPERATION, INSTALLATION AND MAINTENANCE MANUAL
ELT 3000 / ELT 3000 HM

2. Battery

A. Battery Removal

The battery is user (Owner, Pilot, and Operator) replaceable in the field. The battery contains a memory PCB that tracks the ELT elapsed on-time, activation count, self-test count and GNSS self-test count. This value is read during self-test as one factor to determine battery status.

CAUTION: THE BATTERY PACK CONTAINS ELECTROSTATIC DISCHARGE (ESD) SENSITIVE COMPONENTS AND IT MUST BE HANDLED WITH CARE. IF POSSIBLE, WEAR A GROUNDED WRIST STRAP WHEN HANDLING THE BATTERY PACK DURING INSTALLATION ACTIVITIES. TAKE PARTICULAR CARE TO AVOID TOUCHING THE EXPOSED CIRCUIT BOARD AND CONNECTOR PINS ON THE BOARD.

CAUTION: TAKE CARE NOT TO DAMAGE THE SHORT FLEX CABLE, WHICH CONNECTS THE BATTERY PACK TO THE ELT ASSEMBLY.

1) See Figure 12.

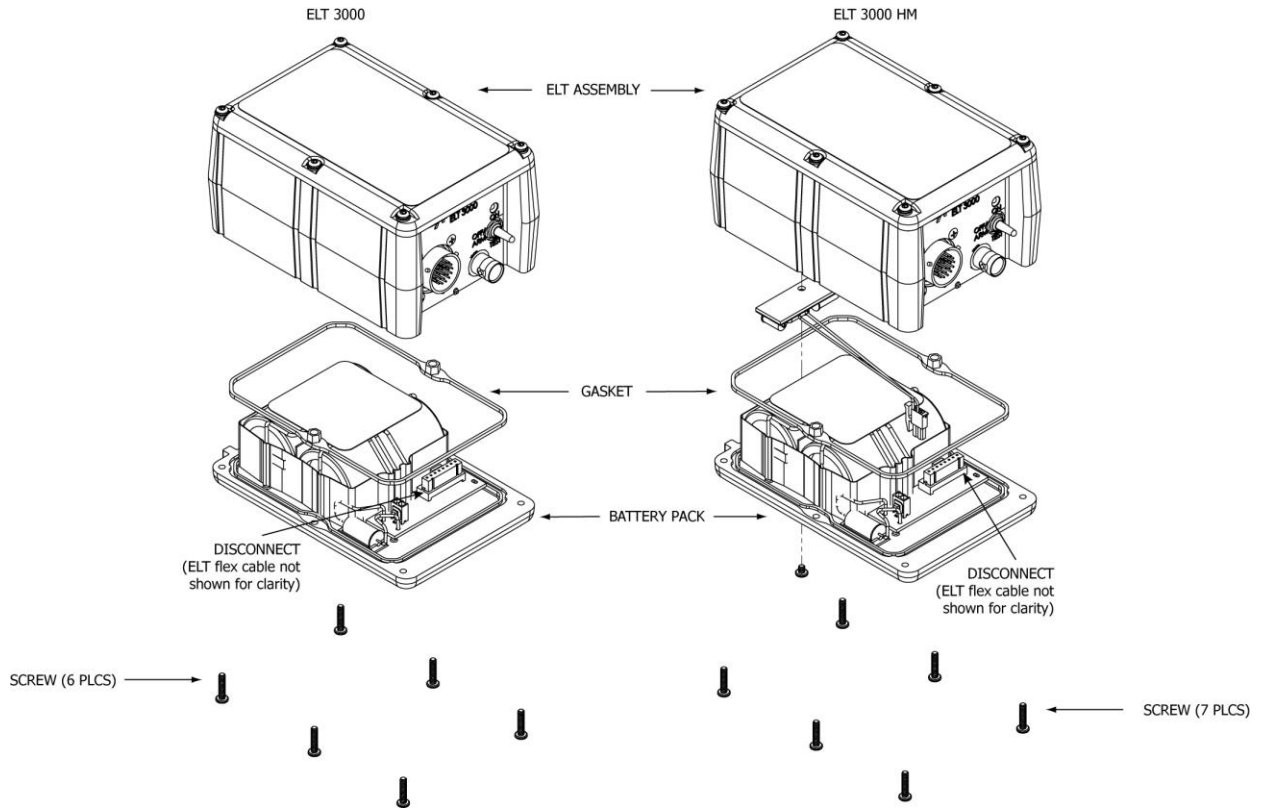


Figure 12 Battery Pack Removal

- 2) Lay the ELT on a surface with the battery side up, to view the embossed text "BATTERY ACCESS ON THIS SIDE".
- 3) Remove the six screws from the battery cover.
- 4) Lay the ELT on its side, while keeping the ELT and battery pack securely held together.
- 5) Carefully separate the battery pack from the ELT, taking care not to put strain on the short flex cable.
- 6) Disconnect the flex cable from the small circuit board mounted in the battery pack by carefully opening the flex cable connector.
- 7) Dispose of battery within the rules and guidelines of your regional Waste Disposal Authority.

ARTEX PRODUCTS / ACR ELECTRONICS, INC.
DESCRIPTION, OPERATION, INSTALLATION AND MAINTENANCE MANUAL
ELT 3000 / ELT 3000 HM

3. Material or Equipment Return

A. Shipment Information

- 1) If any material or equipment is to be returned to the factory, under warranty or otherwise, ACR Electronics must be notified prior to shipment with the following information:
 - a) Model and serial number of equipment being returned,
 - b) Date purchased,
 - c) Date placed in service,
 - d) Number of hours in service,
 - e) Nature and cause of failure, and
 - f) Remarks, if any.

B. Return Material Authorization

- 1) Upon receipt of such notice, ACR Electronics, Inc. will issue a Return Material Authorization (RMA) number which then authorizes return of the material or equipment to the following address:

Repair and Overhaul

ACR Electronics, Inc.

5757 Ravenswood Road

Fort Lauderdale, FL 33312-6645, USA

Phone: (954) 981-3333

Fax: (954) 983-5087

- a) Failure to obtain a RMA number and provide the details listed above may cause unnecessary delay and/or rejection of the returned material or equipment.
- b) All material or equipment returned to the factory must be freight prepaid.
- c) Acceptable methods of shipment for international return are Airborne, Burlington Air, DHL, Emery, Federal Express, UPS International, and World Wide only.

NOTE: Do not use international commercial airlines, such carriers may cause a loss of returned material or equipment.

ARTEX PRODUCTS / ACR ELECTRONICS, INC.
DESCRIPTION, OPERATION, INSTALLATION AND MAINTENANCE MANUAL
ELT 3000 / ELT 3000 HM
INSTALLATION

1. Regulatory Requirements and Guidelines

A. For US Registered aircraft:

**WARNING: FAILURE TO REGISTER THIS ELT WITH NOAA BEFORE INSTALLATION
COULD RESULT IN A MONETARY FORFEITURE BEING ISSUED TO THE
OWNER.**

- 1) To enhance protection of life and property, it is mandatory that each 406.0-406.1 MHz ELT must be registered with NOAA before installation and that information be kept up-to-date. In addition to the identification plate or label requirements, each 406.0-406.1 MHz ELT is provided on the outside with a clearly discernible permanent plate or label containing the following statement: "The owner of this 406.0-406.1 MHz ELT must register the NOAA identification code contained on this label with the National Oceanic and Atmospheric Administration (NOAA), whose address is:

NOAA/SARSAT Beacon Registration

NSOF E/SPO53

1315 East West Hwy

Silver Spring, MD 20910-3282

- 2) Aircraft owners must advise NOAA in writing upon change of aircraft or ELT ownership, or any other change in registration information. Fleet operators must notify NOAA upon transfer of ELT to another aircraft outside of the owner's control, or another change in registration information. NOAA will provide registrants with proof of registration and change of registration postcards.

B. TSO C126b, Paragraph D

- 1) TSO approval of the ELT does not constitute installation approval. All ELT installations are subject to field approval for a given airframe by either an approved FAA DER or FAA FSDO. For installations outside the US, contact your local civil aviation regulatory agency for details.
- 2) The remote switch is a requirement of TSO C126b and installation is mandatory.
- 3) The buzzer is a requirement of TSO C126b and installation is mandatory.

C. FAA

- 1) This manual constitutes supporting data, as described in AC43.9-1, Paragraph 6.h.(2) and AC 43-210, Chapter 2, Paragraph 201(a)(6), and as such may be used as support for FAA field approval of the ELT installation.
- 2) In addition to the procedures outlined herein and in accordance with FAR Part 43, the installer must adhere to the aircraft manufacturer's instructions and recommendations and the guidelines provided by FAA Advisory Circular AC 43.13-2 "Acceptable Methods, Techniques, and Practices - Aircraft Alterations," specifically Chapters 1 through 3, 11, and 13.
- 3) By signing the aircraft logbook, and FAA Form 337, the installer is stating the installation has been performed in accordance with current FAR requirements and the procedures outlined therein. The completed Form 337 is provided to the FAA and also becomes a permanent part of the aircraft maintenance records in accordance with AC43-9, Paragraph 17.

D. Canada

- 1) All installations must be performed in accordance with Canadian Aviation Regulations (CAR) Part V, Chapter 551, § 551.104.

ARTEX PRODUCTS / ACR ELECTRONICS, INC.
DESCRIPTION, OPERATION, INSTALLATION AND MAINTENANCE MANUAL
ELT 3000 / ELT 3000 HM

E. Other Countries

- 1) Installations in aircraft outside of the United States and Canada must be performed in accordance with applicable regulatory authority rules and regulations.

F. RTCA

- 1) DO-204A, § 3.1.8 guidelines for mounting an ELT:
 - a) The ELT unit shall be mounted to primary aircraft load-carrying structures, such as trusses, bulkheads, longerons, spars, or floor beams (not aircraft skin) or a structure that meets the requirements of the following test:
 - b) The mounts shall have a maximum static local deflection no greater than 2.5 mm when a force of 450 newtons (100 lbf) is applied to the mount in the most flexible direction. Deflection measurements shall be made with reference to another part of the aircraft not less than 0.3 meters nor more than 1.0 meters from the mounting location.
- 2) DO-182, § 6.2.2.b recommends that:
 - a) To maximize the probability of the ELT transmitting a detectable signal after a crash, all ELT system components, which must survive a crash intact, e.g. transmitter and external antenna, should be attached to the airframe in such a manner that the attachment system can support a 100 g load, (ELT weight x 100, ELT antenna weight x 100, etc.) applied through the center of gravity of the component (ELT, antenna, etc.) in the plus and minus directions of the three principal axes of the aircraft.
 - b) Post-crash critical components of the ELT system, e.g. transmitter and external antenna, should be mounted as close to each other as possible.
 - c) The antenna coax cable should not cross any production breaks, e.g., major structure sections, such that the ELT and antenna are in the same section of the aircraft and as close together as possible.
 - d) If the ELT and external antenna are on opposite sides of an airframe production break, the components should be secured to each other by a tether that can support a 100 g load (ELT weight x 100). The interconnecting antenna-to-ELT coax cable should have sufficient slack on both ends that it will not be subjected to any tensile load and should be tied loosely to the tether.

ARTEX PRODUCTS / ACR ELECTRONICS, INC.
 DESCRIPTION, OPERATION, INSTALLATION AND MAINTENANCE MANUAL
 ELT 3000 / ELT 3000 HM

2. Mounting Tray

A. Location

CAUTION: MANY ORIGINAL ELT INSTALLATIONS ARE INADEQUATE AS FAR AS UNIT LOCATION AND SURFACE RIGIDITY ARE CONCERNED. BECAUSE OF THE CRITICAL FUNCTION AN ELT PERFORMS, IT IS IMPORTANT THE INSTALLATION FOLLOWS THE INSTRUCTIONS AND RECOMMENDATIONS HEREIN.

CAUTION: THE MOUNTING SURFACE MUST BE EXTREMELY RIGID. MOUNTING AN ELT DIRECTLY TO THE AIRCRAFT SKIN, FOR EXAMPLE, IS UNACCEPTABLE.

CAUTION: AVOID LOCATING THE ELT WHERE IT WILL BE SUBJECTED TO UNPROTECTED EXPOSURE TO HARSH CHEMICAL FLUIDS SUCH AS DEICING COMPOUNDS. THESE TYPES OF CHEMICAL FLUIDS CAN PROMOTE CRACKING AND FRACTURING OF THE ELT MOUNTING FRAME AND HOUSING COMPONENTS BY DEGRADING THE STRUCTURAL INTEGRITY OF THESE COMPONENTS. THESE SAME CHEMICAL AGENTS MAY ALSO CAUSE CORROSION OF ELECTRICAL CONNECTIONS.

NOTE: Statistics show that the tail section of an airplane is likely to be less damaged during a crash; therefore, providing a good mounting environment for the ELT.

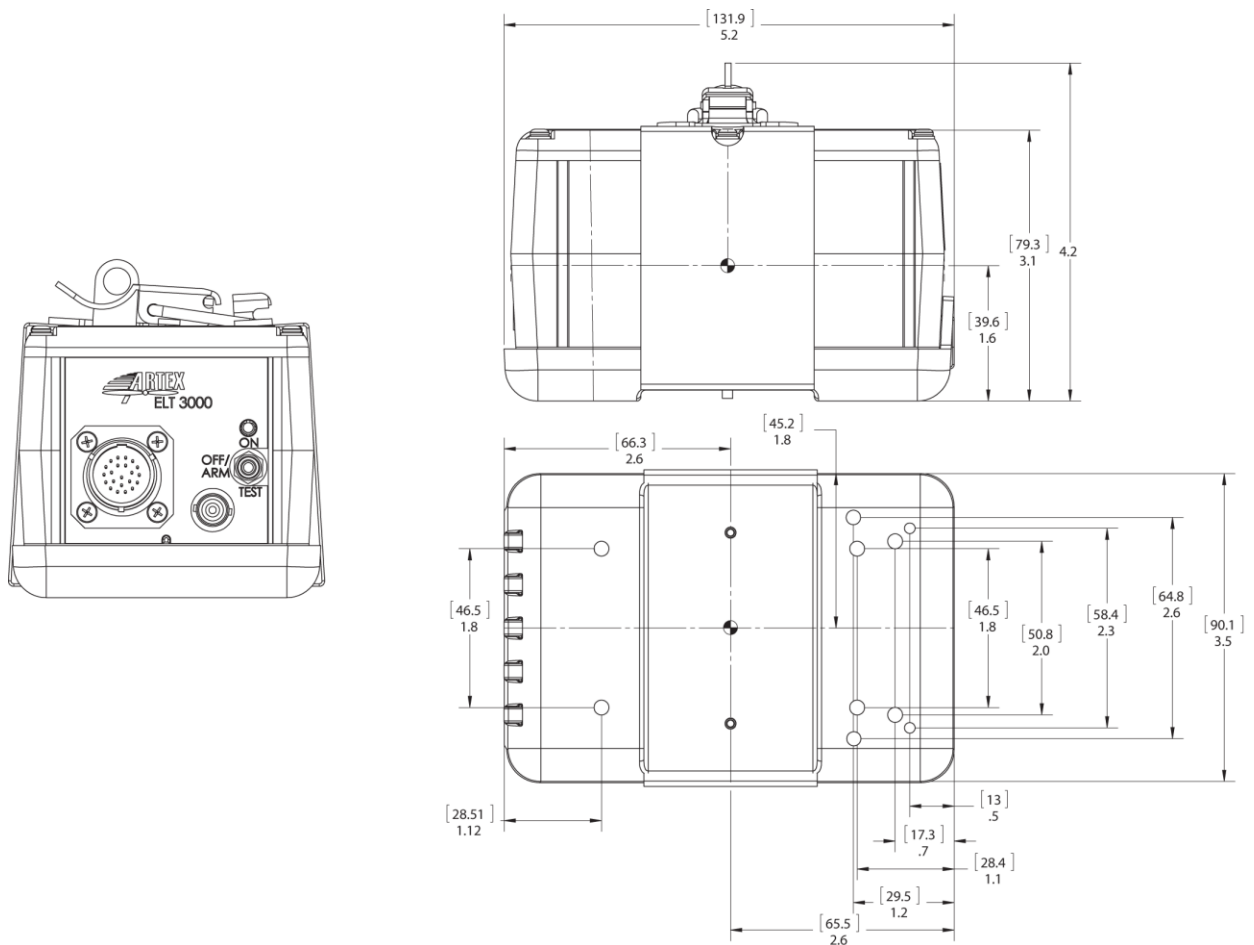


Figure 13 ARTEX ELT 3000 Outline & Dimensions

ARTEX PRODUCTS / ACR ELECTRONICS, INC.
DESCRIPTION, OPERATION, INSTALLATION AND MAINTENANCE MANUAL
ELT 3000 / ELT 3000 HM

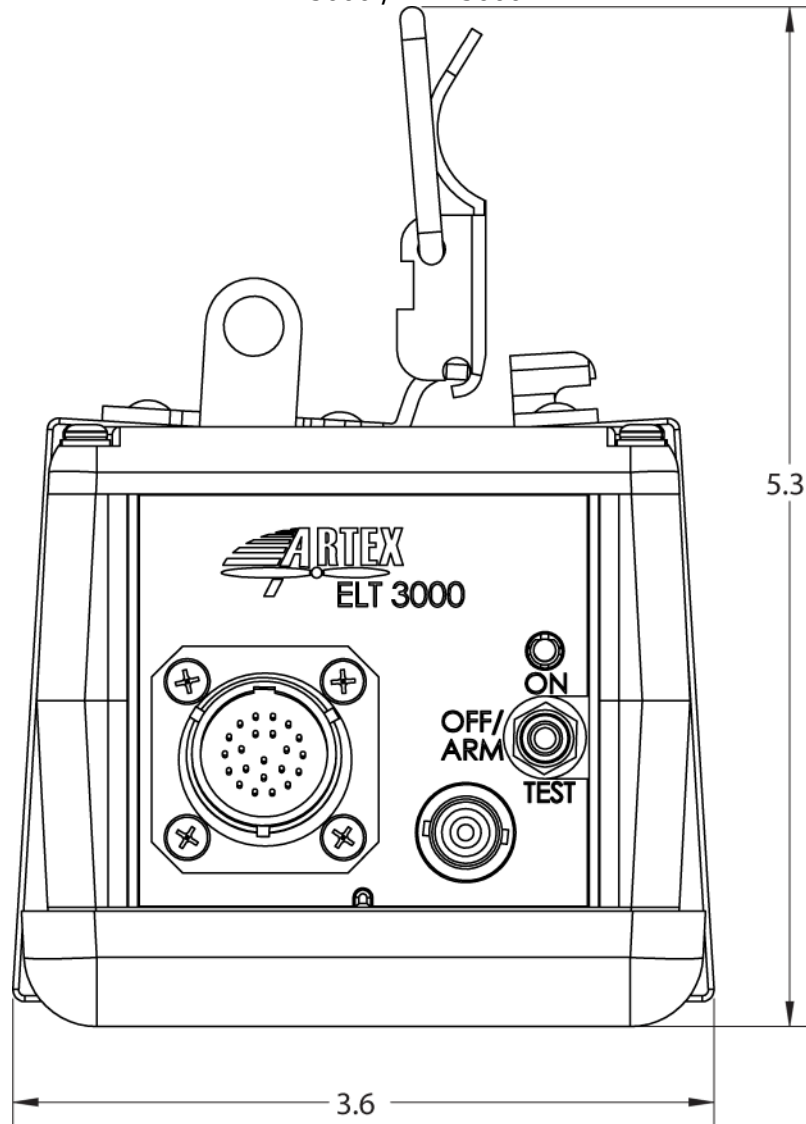


Figure 14 ELT 3000 Metal Strap Minimum Clearance Dimensions

- 1) Select a suitable location for the ELT mounting tray (see Figure 13 on page 49 and Figure 14 above).
- 2) Mount the ELT as far aft as practical, but where it can be easily retrieved for maintenance.
- 3) Additional installation guidance may be found in AC 43.13-2, Chapter 2, § 28, which specifically addresses ELT installations.

ARTEX PRODUCTS / ACR ELECTRONICS, INC.
DESCRIPTION, OPERATION, INSTALLATION AND MAINTENANCE MANUAL
ELT 3000 / ELT 3000 HM

B. Installation

1) See Figure 15.

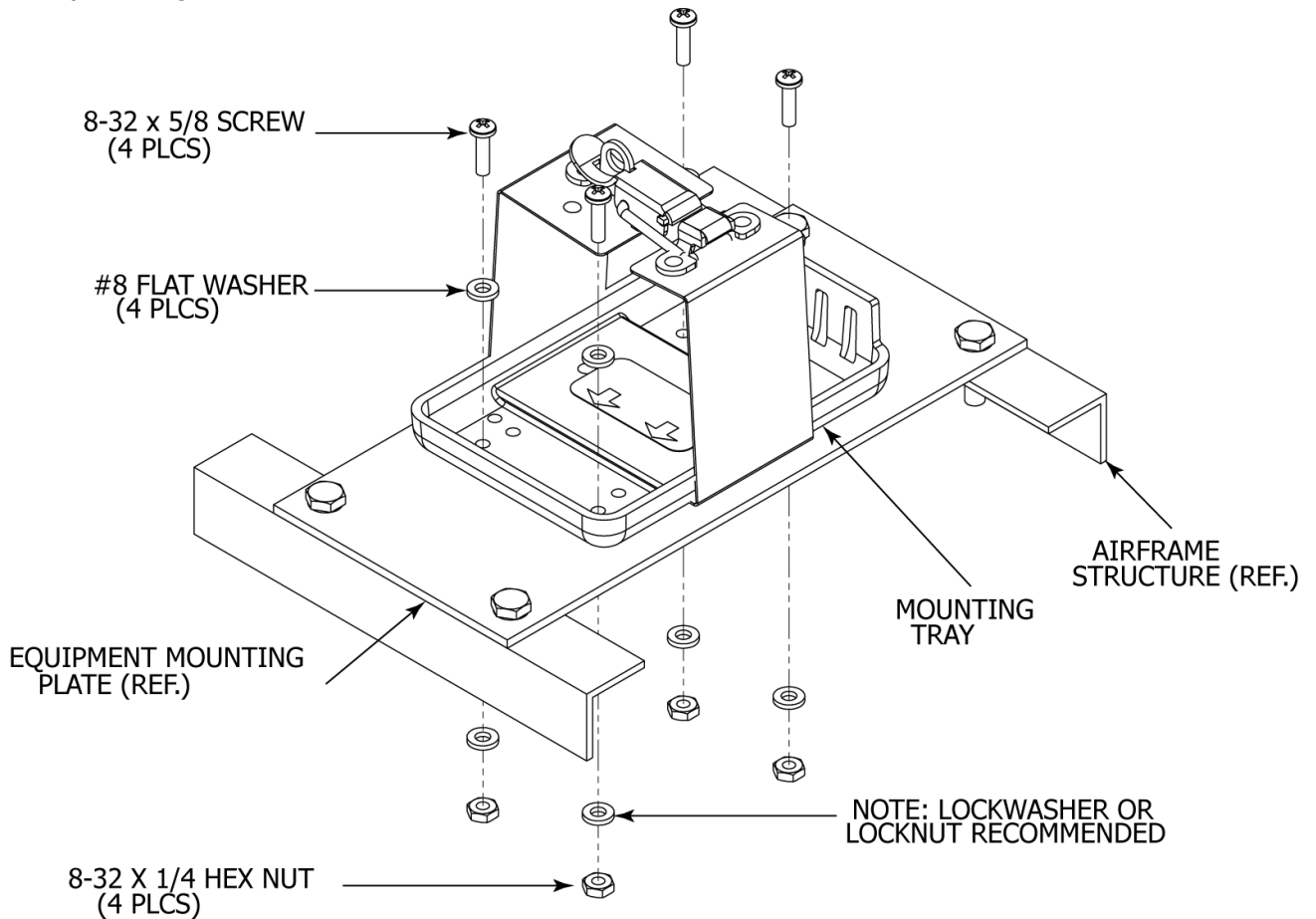


Figure 15 Typical Mounting Tray Installation

- 2) Install the necessary mounting structure as appropriate.
- 3) Align the mounting tray (A3-06-2793) on the mounting structure, such that the arrow on the tray is within 10° of the longitudinal axis of the aircraft and pointing in the direction of flight.
- 4) Mark and drill the four mounting holes with a #19 or 4.25 mm drill. Refer to Figure 11 on page 48 for the mounting hole pattern.

NOTE: Utilize a minimum of four mounting holes to suit installation location.

- 5) Install the mounting tray as shown in Figure 15.
- 6) Torque screws to 12±1 lb-in (136 ±11 N•cm).

ARTEX PRODUCTS / ACR ELECTRONICS, INC.
DESCRIPTION, OPERATION, INSTALLATION AND MAINTENANCE MANUAL
ELT 3000 / ELT 3000 HM

C. ELT-3000 Conversion Tray

- 1) An optional mounting tray (P/N 8318) is available to enable ELT 3000 retrofit into aircraft equipped with ARTEX C and B series ELT systems. The conversion tray can help reduce engineering and structural changes as it aligns with existing C and B series bolt patterns. P/N 8318 has been subjected to the same environmental testing as the standard tray and is approved under the same TSO. P/N 8318 is installed by the initial installation mounting procedure outlined in Figure 15.

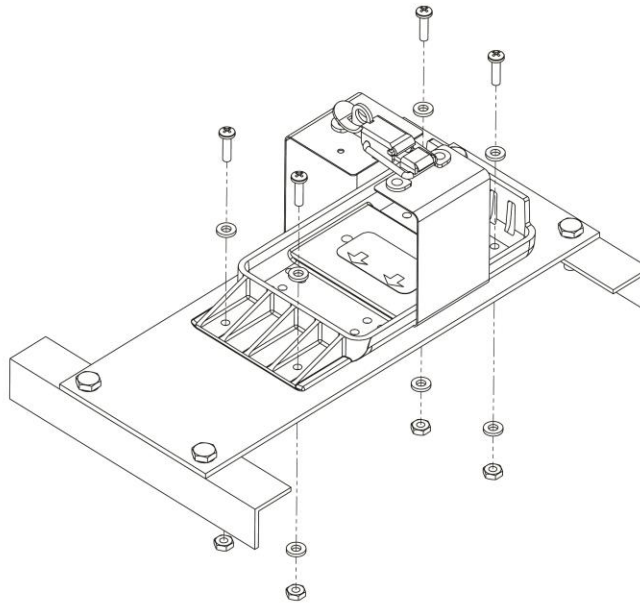


Figure 16 Conversion Tray

ARTEX PRODUCTS / ACR ELECTRONICS, INC.
DESCRIPTION, OPERATION, INSTALLATION AND MAINTENANCE MANUAL
ELT 3000 / ELT 3000 HM

3. Antenna

A. General

- 1) Use only antennas approved for use with the ARTEX ELT 3000. The ELT will not work properly without being connected to an antenna for which it was designed.
- 2) Verify the antenna selected matches the requirements of the specific installation. Considerations include aircraft maximum rated speed, location restrictions, and any other considerations specific to the installation.
- 3) Per FAA TSO C126b and ETSO-C126a, ELTs must be installed with only the components that have been certified by either the manufacturer of the unit or via a Type Certificate authorization done by the airframe manufacturer. Contact ARTEX Technical Support for further information regarding component and accessory selection.

B. Location

- 1) Select a suitable location for the antenna.
 - a) Place the antenna in a location where the antenna can be installed vertically and with at least 32 inches (0.8 m) of clearance from other antennas, particularly VHF, in accordance with RTCA/DO-204, § 3.1.10.2.

NOTE: Detailed location guidance may be found in AC 43.13-2, Chapter 3, which recommends a minimum distance of 36 inches (0.9 m) clearance between antennas.

C. Installation General Info

NOTE: Per FAA TSO C126b, "Those installing this article, on or in a specific type or class of aircraft, must determine that the aircraft installation conditions are within the TSO standards. TSO articles must have separate approval for installation in an aircraft."

CAUTION: ARTEX (ACR ELECTRONICS, INC.) CANNOT VERIFY APPROPRIATE ANTENNA SELECTION PER EACH AIRFRAME. MANY CONSIDERATIONS MUST BE EVALUATED DURING THE ANTENNA SELECTION PROCESS, SUCH AS DYNAMIC / STATIC LOADING. CERTAIN SPECIAL CONSIDERATIONS NEED TO BE ACCOUNTED FOR SUCH AS AIRFLOW SPEED OVER THE ANTENNA SURFACES (FRONTLOAD / SIDELOAD). CONSULT FAA AC 43.13-2 AND AIRFRAME MANUFACTURER FOR ANTENNA INSTALLATION PRACTICES AND REQUIREMENTS. CONTACT ARTEX TECHNICAL SUPPORT FOR MORE INFORMATION.

WARNING: PER FAA AC 43.13-2: "PAINTING AN ANTENNA OR APPLYING PROTECTIVE COATINGS OR DEVICES THAT ARE NOT APPROVED ARE NOT ALLOWED [UNDER THIS AC]. PAINT IS AN RF DE-TUNER. IF AN ANTENNA IS PAINTED IN THE FIELD, PAINT TYPE AND PAINT THICKNESS PRESENT UNCONTROLLED VARIABLES THAT WILL AFFECT AN ANTENNA'S PERFORMANCE AND MAY RESULT IN THE ANTENNA NO LONGER MEETING ITS SPECIFICATIONS OR TECHNICAL STANDARD ORDER (TSO)." ARTEX (ACR ELECTRONICS, INC.) DOES NOT AUTHORIZE OPERATORS OR OUTSIDE MAINTENANCE ORGANIZATIONS TO PERFORM FIELD REPAIRS OR PAINTING. CONTACT ARTEX TECHNICAL SUPPORT FOR MORE INFORMATION.

NOTE: Refer to the airframe manufacturer's written instructions and AC 43.13-2, Chapter 3 for antenna installation practices and requirements.

ARTEX PRODUCTS / ACR ELECTRONICS, INC.
DESCRIPTION, OPERATION, INSTALLATION AND MAINTENANCE MANUAL
ELT 3000 / ELT 3000 HM

- 1) Prepare antenna mounting surface to ensure good ground contact.
- 2) Drill the antenna mounting holes and coax connector hole referring to the appropriate antenna illustration for hole patterns and hole sizes. See Figure 17 and Figure 18 on page 55 and Figure 19 and Figure 20 on page 56.
- 3) Tighten mounting screws in accordance with the installation notes in the antenna drawing.
- 4) Apply a small fillet of RTV sealant around periphery of antenna base to protect against moisture.
- 5) A coax cable, 6 feet (1.8 m) long, is provided as part of the ELT kit.

INSTALLATION NOTES:

1. MOUNT ANTENNA USING #8-32 SS 100° C'SK MACHINE SCREWS AND ASSOCIATED HARDWARE.
TORQUE TO 20 ±1 LB-IN (226 ±11 N•cm)
2. PROVIDE 0.625 (5/8") (16 MM) Ø HOLE IN AIRCRAFT FOR BNC CONNECTOR.
3. PROVIDE 0.182 (4.6 MM) Ø HOLES (4 PLCS) IN AIRCRAFT FOR ATTACHING SCREWS.
4. APPLY A LAYER OF ANTI-CORROSION BONDING GREASE BETWEEN AIRCRAFT AND ANTENNA BASE.
5. GASKET NOT SUPPLIED AND USE OPTIONAL. REQUEST P/N 280-0320 IF ONE IS DESIRED.

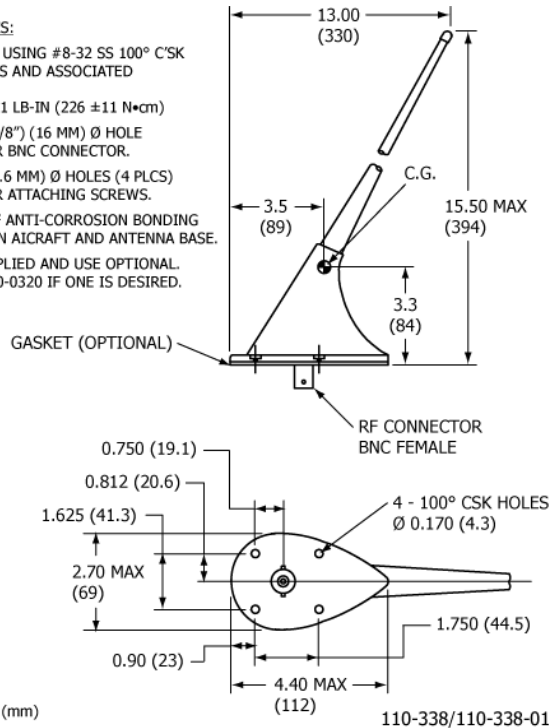


Figure 17 Rod Antenna 110-338/110-338-01 Outlines and Dimensions

ARTEX PRODUCTS / ACR ELECTRONICS, INC.
DESCRIPTION, OPERATION, INSTALLATION AND MAINTENANCE MANUAL
ELT 3000 / ELT 3000 HM

INSTALLATION NOTES:

1. PROVIDE 0.625 (5/8") (16 MM) Ø HOLE FOR BNC CONNECTOR.
2. PROVIDE 0.213 (5.4 MM) Ø HOLES (6 PLCS) FOR ATTACHING HARDWARE.
3. APPLY A LAYER OF ANTI-CORROSION BONDING GREASE BETWEEN AIRCRAFT AND ANTENNA BASE.
4. BONDING THROUGH MOUNTING SCREWS NOT REQUIRED.
5. MOUNT ANTENNA USING #10-32 SS MACHINE SCREWS AND ASSOCIATED HARDWARE. TORQUE TO 23 ±1 LB-IN (260 ±11 N•cm).
6. CORK GASKET NOT SUPPLIED AND USE OPTIONAL. REQUEST P/N 280-0340 IF ONE IS DESIRED.

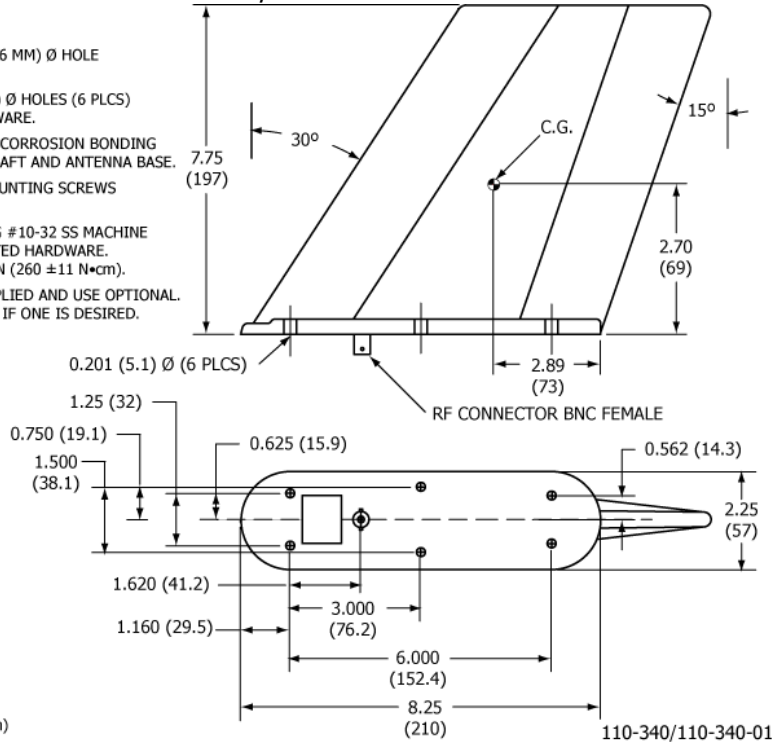


Figure 18 Blade Antenna 110-340/110-340-01 Outlines and Dimensions

INSTALLATION NOTES:

1. MOUNT ANTENNA USING #10-32 SS MACHINE SCREWS AND ASSOCIATED HARDWARE. TORQUE TO 23 ±1 LB-IN (260 ±11 N•cm)
2. PROVIDE 0.625 (5/8") (16 MM) Ø HOLE FOR BNC CONNECTOR.
3. PROVIDE 0.213 (5.4 MM) Ø HOLES (6 PLCS) FOR ATTACHING SCREWS.
4. THIS ANTENNA BONDED BY THE BASE PLATE BONDING THROUGH MOUNTING SCREWS NOT REQUIRED.
5. APPLY A LAYER OF ANTI-CORROSION BONDING GREASE BETWEEN AIRCRAFT AND ANTENNA BASE.

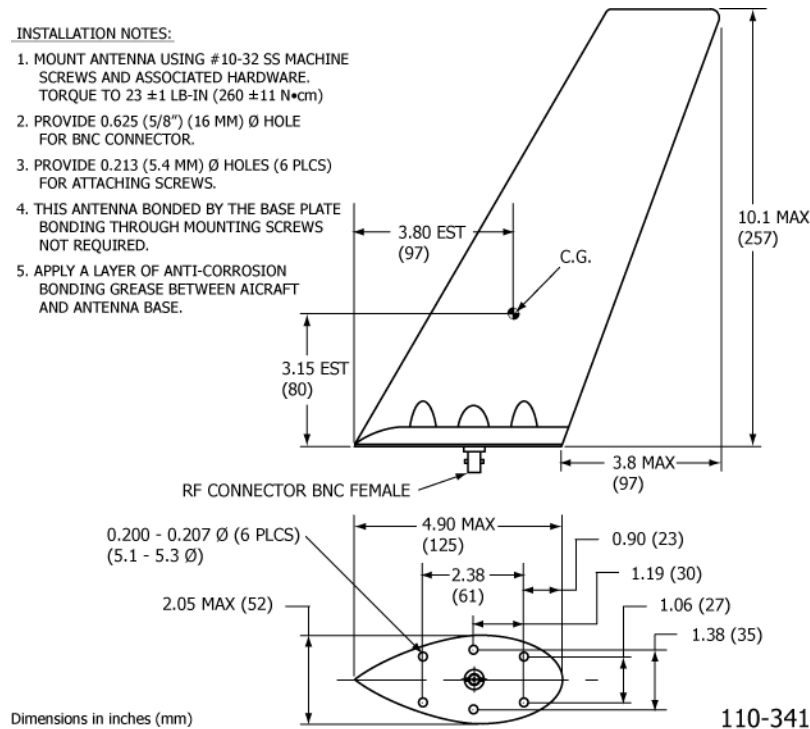


Figure 19 Blade Antenna 110-341 Outline and Dimensions

ARTEX PRODUCTS / ACR ELECTRONICS, INC.
DESCRIPTION, OPERATION, INSTALLATION AND MAINTENANCE MANUAL
ELT 3000 / ELT 3000 HM

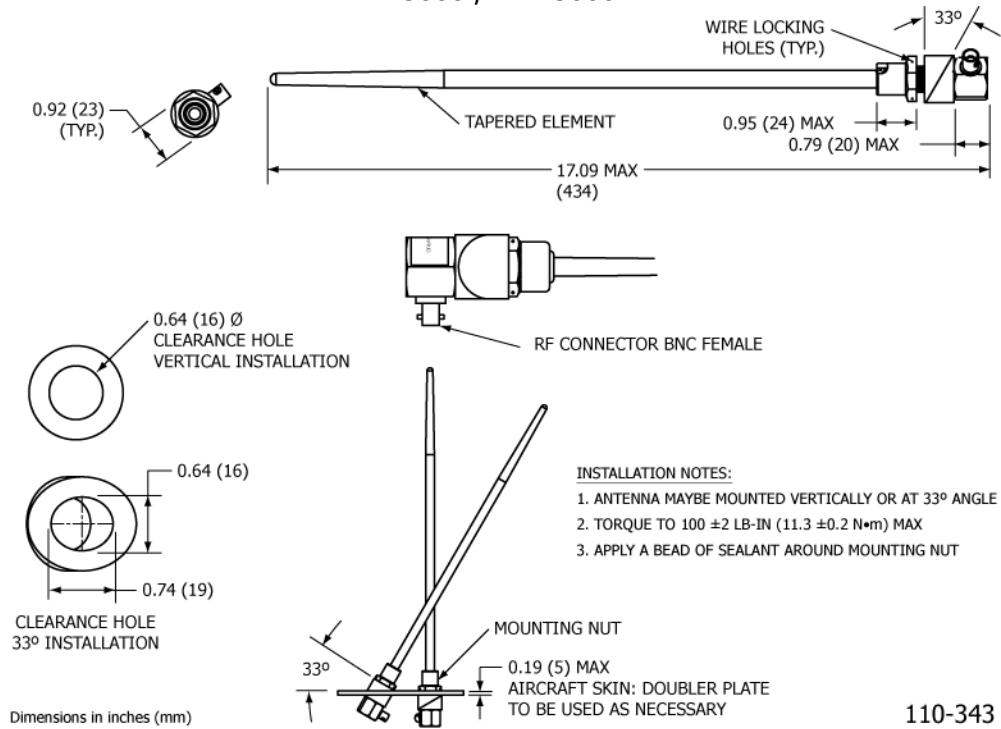


Figure 20 Whip Antenna 110-343 Outline and Dimensions

ARTEX PRODUCTS / ACR ELECTRONICS, INC.
 DESCRIPTION, OPERATION, INSTALLATION AND MAINTENANCE MANUAL
 ELT 3000 / ELT 3000 HM

4. Remote Switch

A. Location

NOTE: The ELT 3000 can be installed using either a 5-wire remote switch, ARTEX P/N 345-6196, or a 2-wire remote switch, ARTEX P/N A3-06-2759. Note that the 2-wire remote switch does not require a connection to the aircraft power to operate.

- 1) Select a suitable switch location in the cockpit. The switch needs to be visible and accessible, where the pilot can easily reach the switch and notice the indicator LED.
- 2) The switch assembly requires a panel area of approximately 2.0 x 1.3 in. (51 x 33 mm). Figure 21 shows the dimensions. The clearance behind the panel must allow for the mating connector and harness wires, as well as the switch depth.

NOTE: This illustration is of a 2-wire remote switch. All dimensions are the same on the 5-wire remote switch.

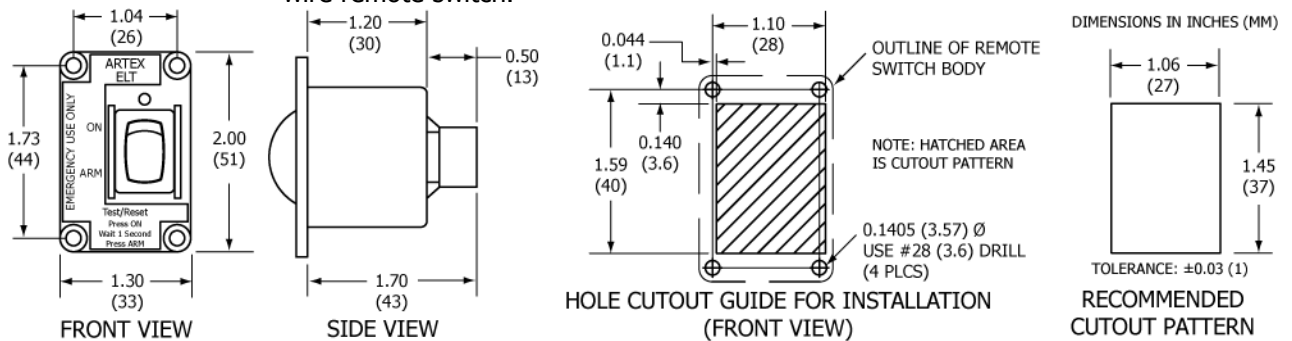


Figure 21 Remote Switch Outline and Dimensions

B. Installation

- 1) Mark the cutout on the cockpit panel.
- 2) Fit the switch assembly into the cutout and mark the four screw holes, then remove the switch.
- 3) Drill the screw holes with a #28 or 3.6 mm drill.
- 4) Install the switch assembly using the hardware provided in the remote switch installation kit (ARTEX P/N 455-6196 or A3-06-2759).
- 5) Apply the "For Aviation Emergency Use Only/Unauthorized Use Prohibited" placard (ARTEX P/N 591-0428, provided in the installation kit) (if provided in your installation kit).
- 6) A remote switch is a requirement of RTCA DO-204a and TSO C126b.

ARTEX PRODUCTS / ACR ELECTRONICS, INC.
DESCRIPTION, OPERATION, INSTALLATION AND MAINTENANCE MANUAL
ELT 3000 / ELT 3000 HM

5. Buzzer

A. Location

CAUTION: PLACING THE BUZZER IN THE COCKPIT IS NOT RECOMMENDED DUE TO THE POTENTIAL FOR DISTRACTION. THE BUZZER PRODUCES A LOUD, SIREN-TYPE SOUND WHEN THE ELT IS ACTIVATED. SINCE THE BUZZER OPERATES IN TANDEM WITH THE COCKPIT LED, IT WOULD ONLY SERVE AS A REDUNDANT WARNING INDICATOR IN THE COCKPIT.

- 1) Select a suitable location for the buzzer.

NOTE: The buzzer may be located anywhere in the aircraft; however, the recommended location is near the ELT, as the buzzer is loud enough to be heard outside the aircraft when the engine(s) is not running. When the engine(s) is running, the LED on the cockpit remote switch assembly will warn the pilot the ELT is active.

B. Installation

- 1) Refer to AC 43.13-2 for fabrication and installation guidance.
- 2) Fabricate a support bracket for the buzzer. See Figure 22.
- 3) Mount bracket and install buzzer. Either the panel mounting nut or flanges can be used to mount the buzzer.

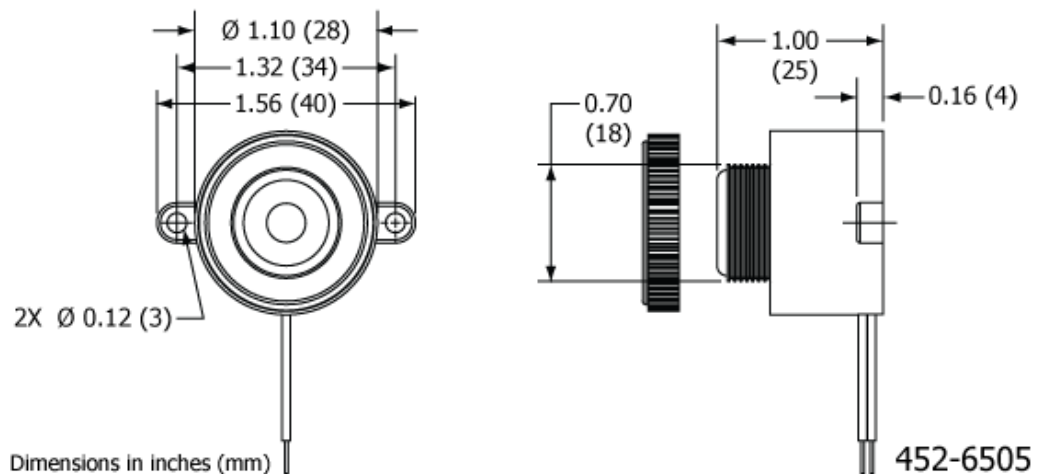


Figure 22 Buzzer Outline and Dimensions

ARTEX PRODUCTS / ACR ELECTRONICS, INC.
DESCRIPTION, OPERATION, INSTALLATION AND MAINTENANCE MANUAL
ELT 3000 / ELT 3000 HM

6. Wiring

A. General Considerations and Recommendations

CAUTION: IF GROUND OR OTHER CONNECTIONS ARE BROKEN OR OTHERWISE DAMAGED, THE ELT IS STILL CAPABLE OF AUTOMATIC ACTIVATION; HOWEVER, THE COCKPIT REMOTE SWITCH MAY BE INCAPABLE OF RESETTING THE ELT AND OPERATION MAY NOT BE INDICATED ON THE REMOTE SWITCH LED.

CAUTION: INCORRECT TERMINATION OF THE WIRING IN THE CONNECTORS MAY DAMAGE THE ELT, CAUSE TRANSMISSION ISSUES, OR RESULT IN A NON-FUNCTIONING REMOTE SWITCH. VERIFY THE WIRING AGAINST THE WIRING DIAGRAM AND PERFORM A CONTINUITY CHECK TO CONFIRM GOOD CONNECTIONS AND PROPER PIN LOCATIONS.

CAUTION: TO PREVENT INADVERTENT ELT ACTIVATION OR POSSIBLE COMPONENT DAMAGE, DO NOT CONNECT THE HARNESS TO THE ELT OR COCKPIT REMOTE SWITCH UNTIL ALL POWER AND GROUND WIRING CONNECTIONS ARE COMPLETED.

- 1) The following wiring and grounding considerations and recommendations are applicable:
 - a) Minimum 22 AWG wire size.
 - b) Shielding is recommended to help prevent EMI and RF interference.
 - c) Use high quality conductor meeting MIL-W-16878, M22759, M27500, or a commercial equivalent acceptable for use in aircraft applications.
 - d) Provide a "Drip Loop" in the remote switch harness connection to the ELT to divert moisture from the connector.
 - e) Provide a "Service Loop" in the remote switch harness connection to the remote switch assembly, such that the assembly can be withdrawn from the panel far enough to easily disconnect the harness plug.
 - f) For 5-wire remote switch installations, ELT and remote switch grounds must be common to aircraft ground and should be less than 10Ω.
- 2) Refer to the following schematics for suggested installation wiring:

ARTEX PRODUCTS / ACR ELECTRONICS, INC.
DESCRIPTION, OPERATION, INSTALLATION AND MAINTENANCE MANUAL
ELT 3000 / ELT 3000 HM

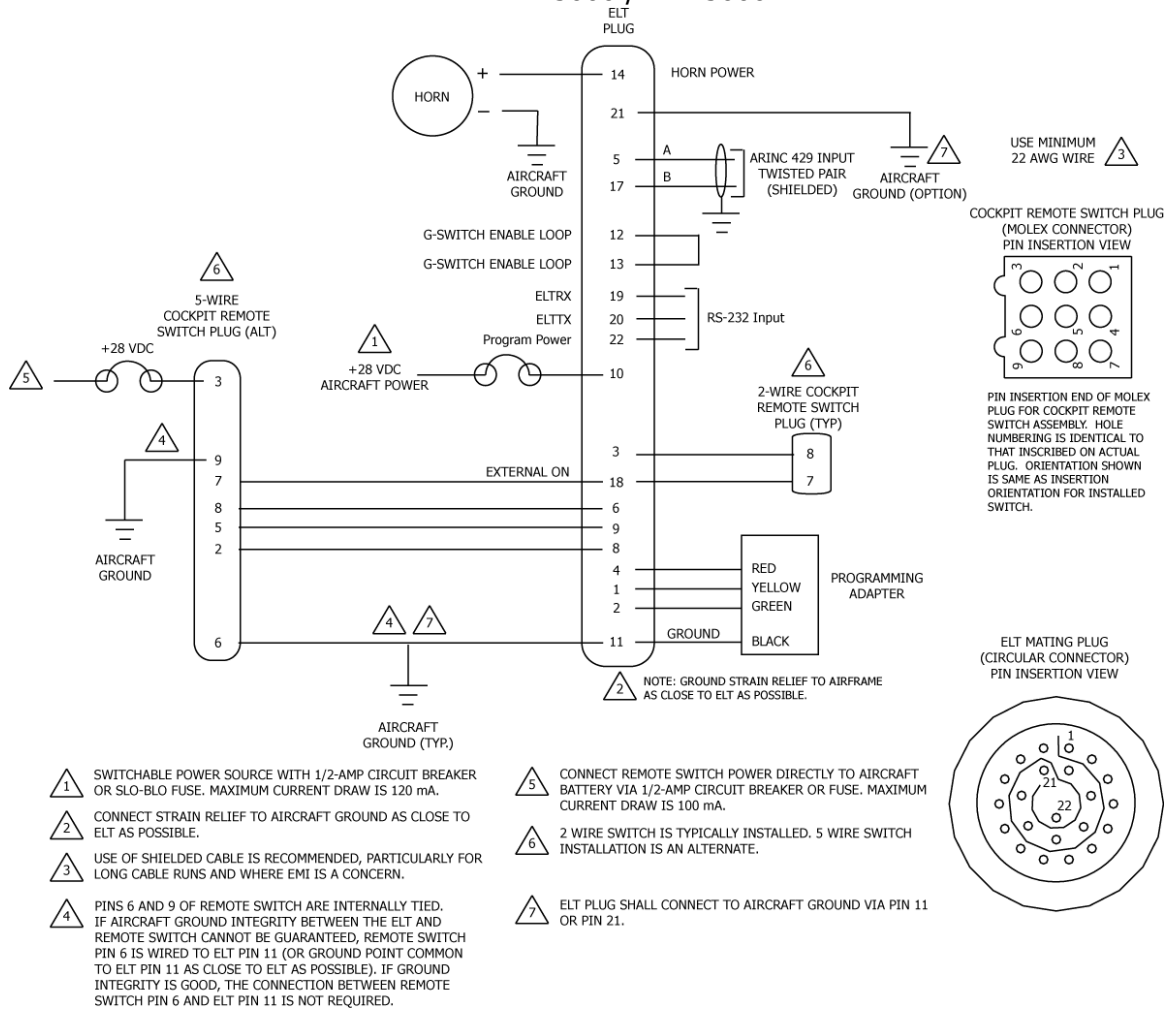


Figure 23 Wiring Diagram

ARTEX PRODUCTS / ACR ELECTRONICS, INC.
DESCRIPTION, OPERATION, INSTALLATION AND MAINTENANCE MANUAL
ELT 3000 / ELT 3000 HM

ARTEX PRODUCTS / ACR ELECTRONICS, INC.
DESCRIPTION, OPERATION, INSTALLATION AND MAINTENANCE MANUAL
ELT 3000 / ELT 3000 HM

B. Remote Switch Harness Fabrication

1) 5-wire Remote Switch ONLY:

a) Fabricate the following wires.

1. Fabricate a ground wire long enough to reach from Pin 11 of the harness ELT plug to aircraft ground.

NOTE: This wire will be crimped in the same pin as the wire running from Pin 11 of the ELT plug to the cockpit remote switch plug Pin 6, if the Pin 11 to Pin 6 connection is required. See Note 4 in Figure 23 on page 60. Alternatively, the wires may be spliced in a manner acceptable to the aircraft manufacturer, or as described in AC 43.13-1, Paragraph 11-167.

2. Fabricate a ground wire long enough to reach from Pin 9 of the remote switch plug to aircraft ground.
3. Fabricate a ground wire long enough to reach from the harness ELT plug strain relief to aircraft ground.
4. Fabricate a power wire long enough to reach from the remote switch plug (Pin 3) to a +28 VDC battery power source.
5. Fabricate a power wire long enough to reach from the ELT plug (Pin 10) to a +28 VDC power source.
6. Fabricate two wires of sufficient length to reach from the harness ELT plug, pins 14 & 21, to the buzzer.

NOTE: These wires provide power and ground for the buzzer. Use appropriate means of identification for the wires, such that the wires can be readily identified.

2) 2-wire Remote Switch ONLY:

- a) Fabricate a wire long enough to reach from the ELT plug (Pin 18) to remote switch plug (pin 7)
- b) Fabricate a wire long enough to reach from the ELT plug (Pin 3) to remote switch plug (pin 8)

3) Prepare the wires as follows:

- a) Strip approximately 0.15 in. (3 mm) of insulation from the remote switch wire ends and 0.19 in. (5 mm) from the ELT wire ends.
- b) Dress and tin the bare wires to prevent the strands from fraying during terminal crimping operations.

4) Crimp contact sockets (151-6657) on the harness wire ends at the ELT, as follows:

NOTE: Use crimp tool M22520/7-01 and die M22570/7-06, or equivalent.

- a) The Pin 11 ground wire. The wire running from Pin 11 to remote switch Pin 6 is terminated in the same pin, if this wire is required. See Figure 23 on page 60. Make a note of the wire identification for later reference.
- b) One of each of the remaining wires with the ends at the harness ELT end.
- c) The +28 VDC switchable power source wire.
- d) The buzzer power and ground wires.
- e) On each of the twisted pair ARINC 429 input wires.

ARTEX PRODUCTS / ACR ELECTRONICS, INC.
DESCRIPTION, OPERATION, INSTALLATION AND MAINTENANCE MANUAL
ELT 3000 / ELT 3000 HM

- 5) Crimp appropriately sized ring terminals on the airframe ends of the following wires:
 - a) Harness ELT plug Pin 11 ground wire.
 - b) Harness ELT plug strain relief ground wire.
 - c) Remote switch plug ground wire.
- 6) Crimp appropriately sized ring terminals on the airframe ends of the following wires:

NOTE: If desired, the power wires may be spliced or otherwise connected to their individual power sources in a manner acceptable to the aircraft manufacturer, or as described in AC 43.13-1, Paragraph 11-167.

- a) Harness ELT plug +28 VDC switchable power source wire. Use a power source controlled by the avionics switch or master switch. This circuit draws power at all times and will drain the battery if not switched off.
 - b) Harness remote switch plug +28 VDC battery power source wire. This power source must be direct from the battery. Use the clock circuit or a similar source of battery power.
- 7) Provide a means of termination on the airframe end of the ARINC 429 /RS 232 twisted pair of wires compatible with the aircraft navigation system ARINC 429 /RS 232 output source.
 - 8) Crimp female terminal pins (151-6628) to the cockpit remote switch end, as follows:

NOTE: Use Molex crimp tool 63811-3300, or an equivalent tool for 0.062 in. terminal pins.

- a) Each harness wire.
 - b) Remote switch ground wire.
 - c) Remote switch +28 VDC battery power wire.
- 9) Bundle the wiring into a complete harness, with breakouts as appropriate, such that the wiring can be properly supported and attached to the airframe. Refer to the aircraft manufacturer's written instructions or AC 43.13-1, Chapter 11, § 9 through 12, as applicable.

C. ELT 22-Pin Plug Installation

- 1) Refer to Figure 23 on page 60 and Figure 24 below.

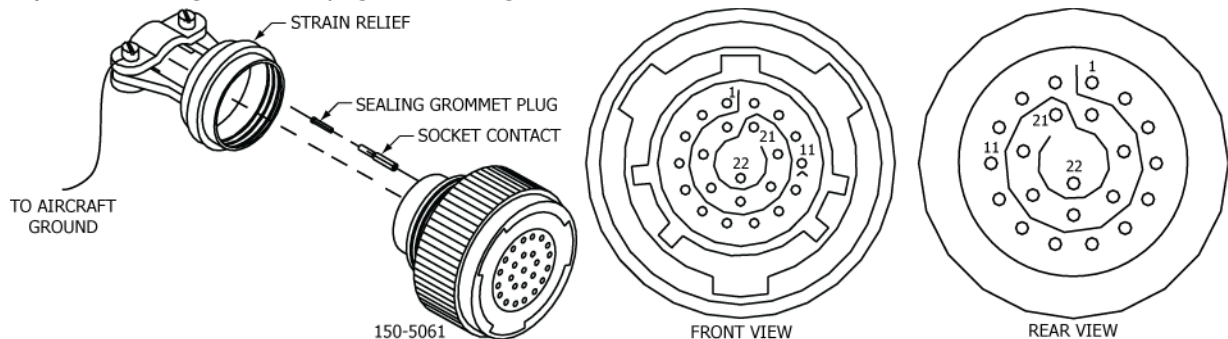


Figure 24 Harness ELT 22-Pin Plug Arrangement

CAUTION: THE ELT WILL NOT AUTOMATICALLY ACTIVATE IF THE JUMPER G-SWITCH LOOP) IS NOT PROPERLY INSTALLED IN THE ELT CIRCULAR CONNECTOR.

- a) Note the pin locations of the harness circular connector plug and crimp the connectors onto the wires.

ARTEX PRODUCTS / ACR ELECTRONICS, INC.
DESCRIPTION, OPERATION, INSTALLATION AND MAINTENANCE MANUAL
ELT 3000 / ELT 3000 HM

- b) Install the wires, with crimp connectors, into the appropriate pin location (referring to the appropriate wiring diagram).
 - c) Re-seat the connector.
 - d) Install the sealing plugs in the pin locations that are not being used.
 - e) Install the strain relief onto the back of the connector, then tighten the clamp around the harness.
- 2) Cockpit Remote Switch 9-Pin Plug Installation
- a) Insert the wiring pins into the Molex 9-pin cockpit remote switch plug (151-5009), referring to the wiring diagram for the appropriate remote switch.

NOTE: Terminal pins may be removed from the plug using Molex extraction tool 11030002, or equivalent.

- 3) Antenna Connection
- a) Install the supplied coax cable to the antenna. For all supplied antennas, except 110-343, custom length coax cable may be fabricated if the cable provided is not adequate. ACR suggests using RG-142 or equivalent coax cable, with an allowable insertion loss between 0.4 dB and 1.0 dB .
- 4) Cockpit Remote Switch Power Connection
- a) For 5-wire remote switch installations, connect the appropriate (14V or 28V) remote switch power wire to the battery using a 1/2 Amp in-line circuit breaker; or an alternate un-switched source (e.g., aircraft clock circuitry). Splicing guidelines can be found in AC 43.13-1, § 13.

NOTE: The power source is required only for the remote switch LED and has no effect on switch functions. The switch will control the ELT with or without power.

- 5) Airframe Ground Connections
- a) Connect the ground wires to the airframe as described in AC 43.13-1, Chapter 11, § 15, as applicable.

ARTEX PRODUCTS / ACR ELECTRONICS, INC.
DESCRIPTION, OPERATION, INSTALLATION AND MAINTENANCE MANUAL
ELT 3000 / ELT 3000 HM

7. ELT Installation and Test

A. Installation

- 1) See Figure 25.

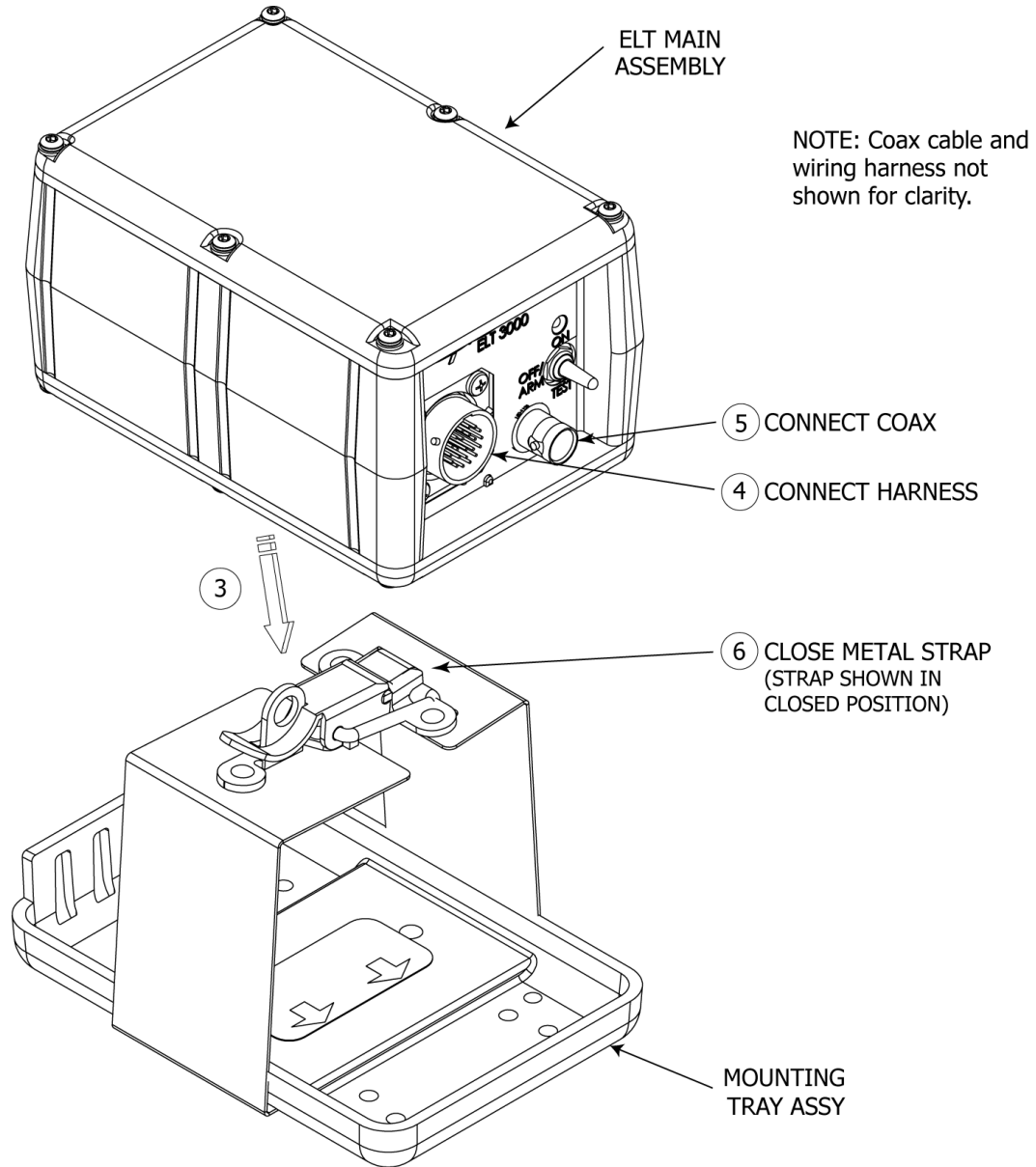


Figure 25 ELT Installation Sequence

- 2) Open the latch on the metal strap.
- 3) Insert the ELT into the mounting tray at an angle, engaging the locking ears at the tail end first. Press the ELT down until it is fully seated in the mounting tray.
- 4) Connect the harness to the ELT, taking care to insert the connector straight in.
- 5) Connect the antenna coax cable to the ELT.
- 6) Lock the Mounting Tray Latch in place to secure the ELT body.
- 7) In accordance with the requirements of Inspection and Test Procedures on page 28, test the ELT installation and verify the digital message (406 MHz burst).

ARTEX PRODUCTS / ACR ELECTRONICS, INC.
DESCRIPTION, OPERATION, INSTALLATION AND MAINTENANCE MANUAL
ELT 3000 / ELT 3000 HM

B. Harness ELT Circular Connector Sealing

- 1) After system operation is verified, with no errors displayed, it is suggested that the harness connector to the ELT be sealed against moisture. This is best accomplished by encapsulating the exposed connections in silicone sealant. ACR recommends Dow Corning® 4 Electrical Insulating Compound or an equivalent meeting SAE AS-8660 (MIL-S8660C)
 - a) Disconnect the remote switch harness circular plug from the ELT.
 - b) Separate the circular connector strain relief from the connector.
 - c) Inject sealant into the back side of the plug, so that sealant surrounds all exposed electrical connections and the back of the plug.
 - d) Re-seat the circular connector strain relief to the connector.
 - e) Coat the mating pins/receptacles lightly with sealant.
 - f) Re-connect the harness plug to the ELT.

C. Installation Documentation

- 1) Update logbook (aircraft records) entries and submit FAA Form 337, along with any supporting data required by the FAA for approval of the installation, as applicable.
- 2) In countries other than the United States, make appropriate aircraft records entries and submit documentation as required for installation approval in accordance with national regulatory authorities.

ARTEX PRODUCTS / ACR ELECTRONICS, INC.
DESCRIPTION, OPERATION, INSTALLATION AND MAINTENANCE MANUAL
ELT 3000 / ELT 3000 HM

8. Battery Pack Installation

A. Battery Installation and Reinstallation

CAUTION: THE BATTERY PACK CONTAINS ELECTROSTATIC DISCHARGE SENSITIVE (ESD) COMPONENTS AND, AS SUCH, MUST BE HANDLED WITH CARE. IF POSSIBLE, WEAR A GROUNDED WRIST STRAP WHEN HANDLING THE BATTERY PACK DURING INSTALLATION ACTIVITIES. TAKE PARTICULAR CARE TO AVOID TOUCHING THE EXPOSED CIRCUIT BOARD AND CONNECTOR PINS ON THE BOARD.

- 1) This subtask applies to reinstallation of an existing battery that was removed for inspection and testing, as well as fitting a new battery.
- 2) See Figure 26.

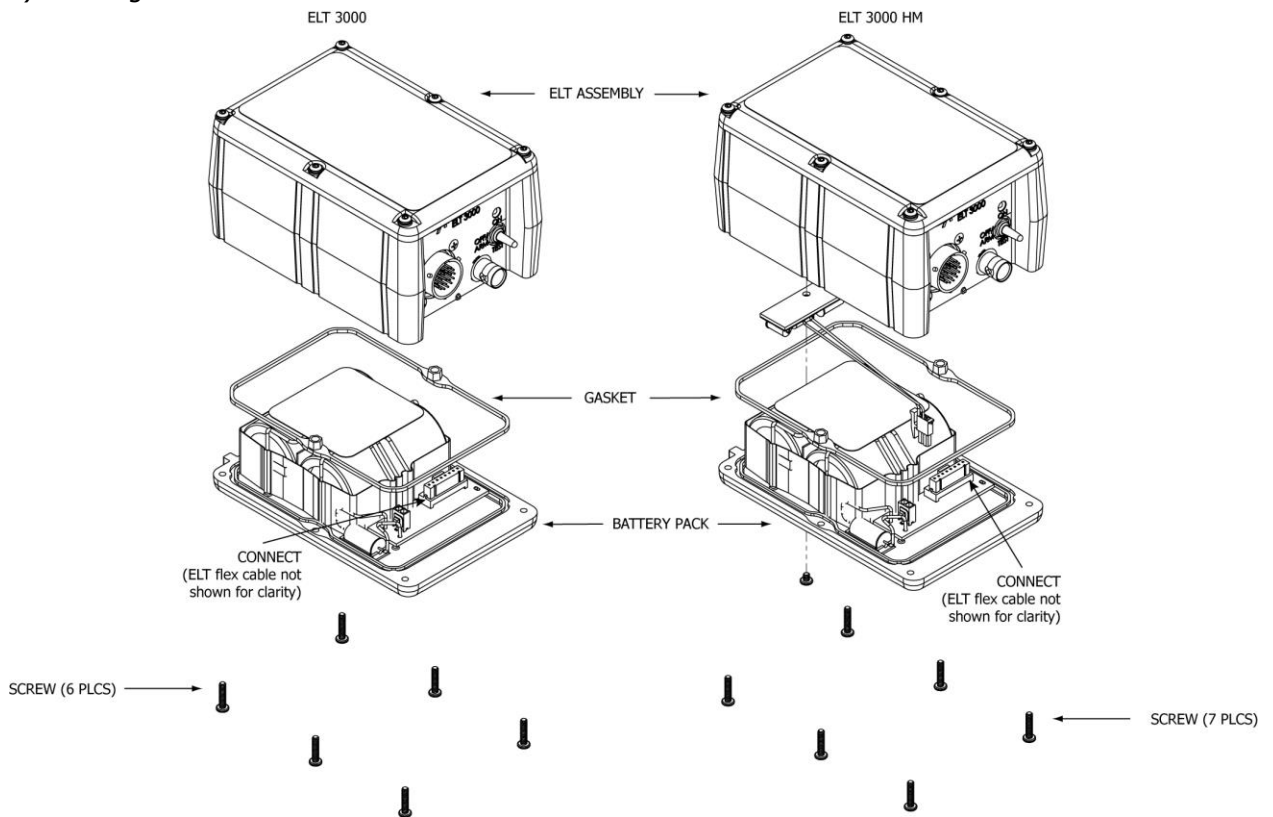


Figure 26 Battery Pack Installation

- 3) Apply a thin coating of non-petroleum based silicone grease, such as GE G-635, to the gasket to facilitate installation and allow the ELT and battery pack to fit together without binding on the gasket.

NOTE: Inspect gasket for wear and tear or damage prior to installation.

- 4) Lay the battery pack and ELT on their sides, such that the two components are aligned, but separated enough to allow the electrical connection to be made.
- 5) Take care not to put any strain on the ribbon cable during the fitment process.
- 6) Connect the ELT lead 8-pin connector to the header on the battery pack circuit board.

ARTEX PRODUCTS / ACR ELECTRONICS, INC.

DESCRIPTION, OPERATION, INSTALLATION AND MAINTENANCE MANUAL

ELT 3000 / ELT 3000 HM

- 7) Fit the battery pack into place on the ELT, while folding the ribbon away from the switch side and underneath the battery pack.
- 8) Tighten screws to 5-6 in-lbs of torque.

ARTEX PRODUCTS / ACR ELECTRONICS, INC.
DESCRIPTION, OPERATION, INSTALLATION AND MAINTENANCE MANUAL
ELT 3000 / ELT 3000 HM
ILLUSTRATED PARTS LIST

1. Introduction

A. Purpose

- 1) This illustrated parts list (IPL) illustrates and lists the spare parts, with attaching hardware, applicable to the ELT 3000.
- 2) Parts and components not listed herein, are not field replaceable and ELT repairs requiring parts outside the scope of this manual must be accomplished by the manufacturer.

B. IPL Usage Guide

- 1) If the part number is not known:
 - a) Find the part in the IPL Figure illustration.
 - b) Note the item number assigned to the part.
 - c) Refer to the associated parts list and find the item number in the "Fig # & Item" column.
- 2) If the part number is known:
 - a) Refer to the parts list and find the part in the "Part #" column.
 - b) Note the figure number and item number assigned to the part.
 - c) Refer to the illustration in the applicable IPL figure to find attaching hardware and related assembly parts.
- 3) In cases where multiple item numbers are shown on an illustration for the same item, there is more than one part number option associated with that item.

2. Manufacturer Name and Address

A. Ordering Information

- 1) Parts may be ordered from ACR Electronics, or any authorized dealer.

CONTACT INFORMATION:

Sales, ACR Electronics, Inc. / ARTEX
Products

5757 Ravenswood Rd

Fort Lauderdale, FL 33312-6645 USA

Phone: (954) 981-3333

Fax: (954) 983-5087

ARTEX PRODUCTS / ACR ELECTRONICS, INC.
 DESCRIPTION, OPERATION, INSTALLATION AND MAINTENANCE MANUAL
 ELT 3000 / ELT 3000 HM

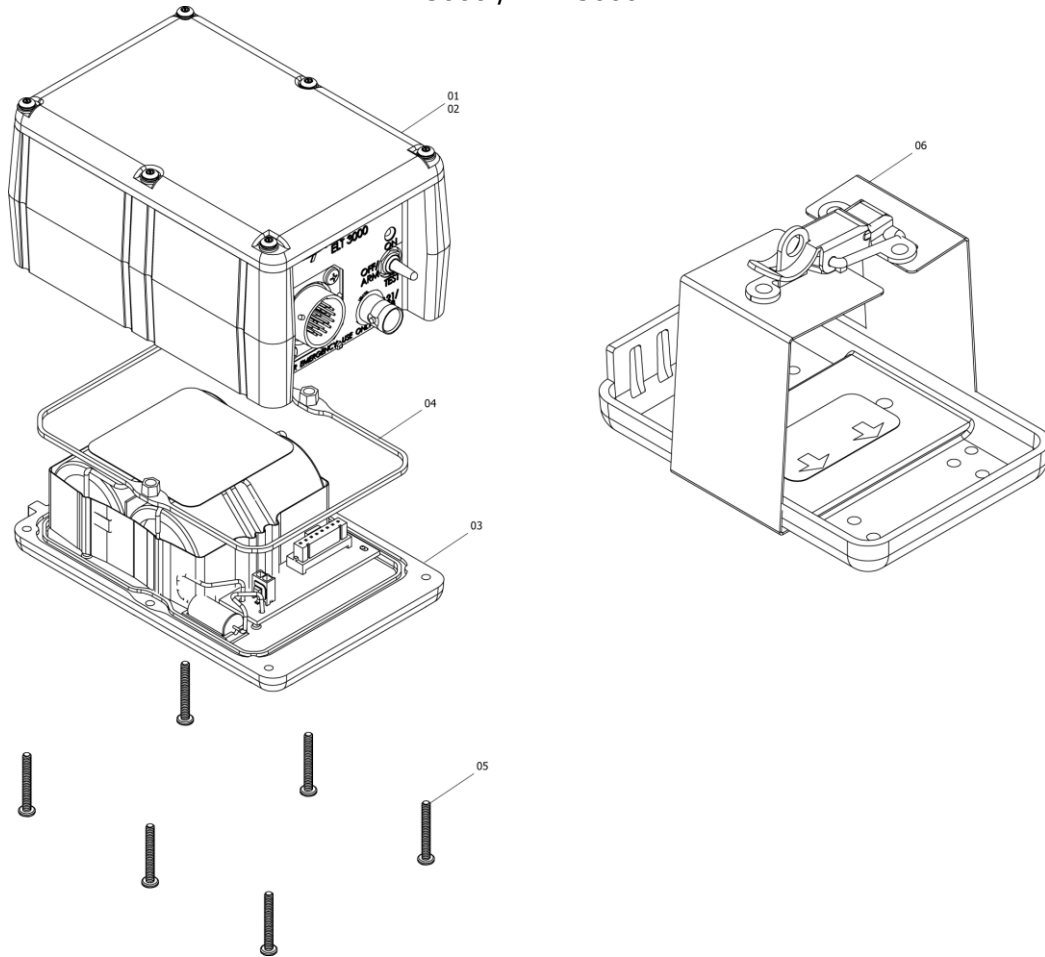


Figure 27 ELT 3000 Main Assembly and Installation

<u>ITEM</u>	<u>PART #</u>	<u>DESCRIPTION</u>	<u>QTY</u>
01	A3-06-2796-8	ARTEX ELT 3000 Final Assembly	1
02	A3-06-2796-9	ARTEX ELT 3000 HM Main Assembly	1
03	A3-06-2863	Lithium Battery Pack	1
04	A1-25-0183	Gasket, battery assembly	1
05	A1-05-0955-875	SCR, 4-40, TORX, PH SS 7/8	6
06	A3-06-2793	Mounting Tray	1

Table 8 Main Assembly Components

ARTEX PRODUCTS / ACR ELECTRONICS, INC.
 DESCRIPTION, OPERATION, INSTALLATION AND MAINTENANCE MANUAL
 ELT 3000 / ELT 3000 HM

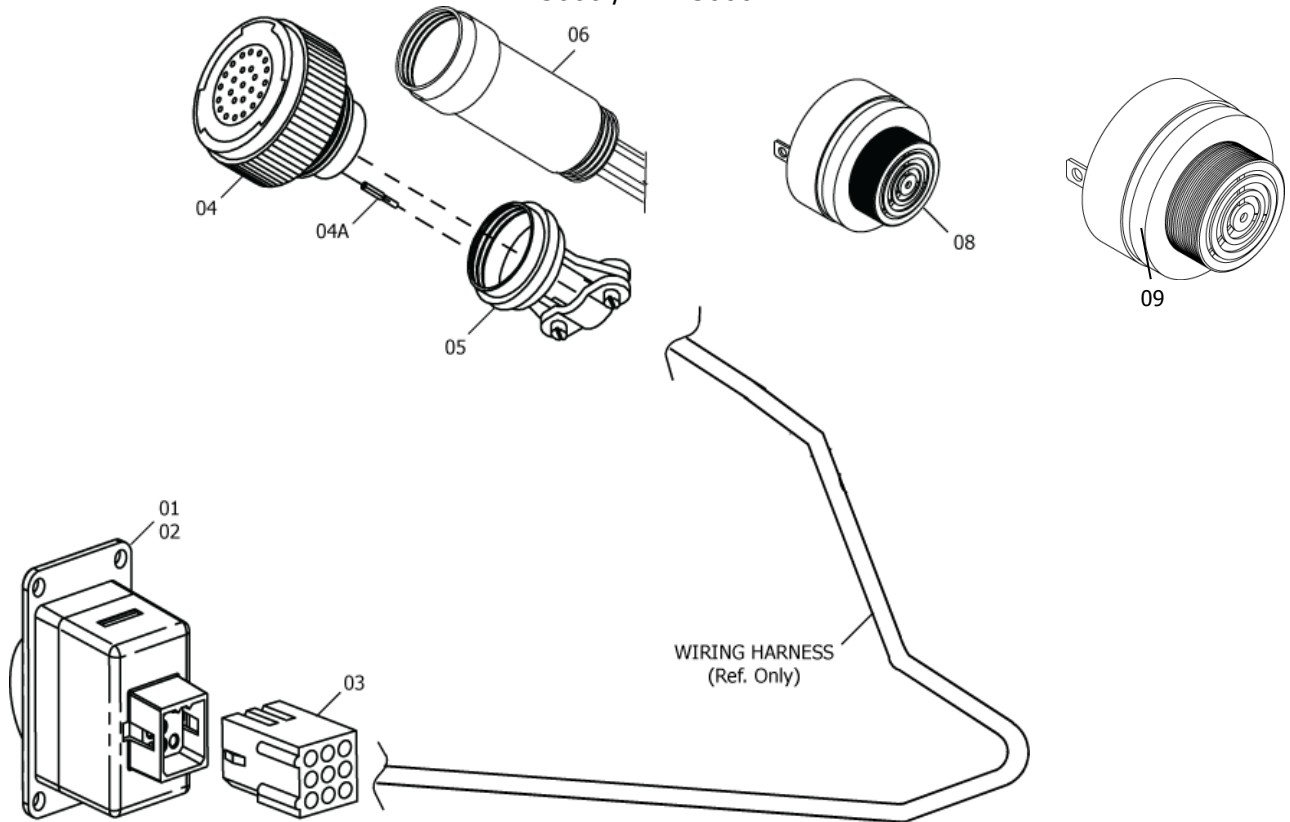


Figure 28 Harness Components

<u>ITEM</u>	<u>PART #</u>	<u>DESCRIPTION</u>	<u>QTY</u>
01	345-6196	Switch, cockpit remote	1
-	201-0408	Screw, PHL, 4-40 x 1/4", SS	4
-	247-0400	Washer, internal lock, SS, #4	4
-	241-0440	Nut, 4-40 x 1/4", hex, SS	4
-	591-0428	Label, ELT Cautionary Use Advisory	1
03	151-5009	Plug, 9-pin	1
04a	151-6628	Terminal, crimp, female, 0.062" dia.	4
04	150-5061	Connector, 22-Postion, Plug, Shell Size 12	1
05	151-5061	Strain Relief, Shell Size 12	1

ARTEX PRODUCTS / ACR ELECTRONICS, INC.
DESCRIPTION, OPERATION, INSTALLATION AND MAINTENANCE MANUAL
ELT 3000 / ELT 3000 HM

06	A3-06-2868	Programming Adapter (Programmed) (Optional)	1
08	452-6505	Buzzer (ELT audio alert)	1
09	130-4004	Buzzer	1

Table 9 Harness Components

ARTEX PRODUCTS / ACR ELECTRONICS, INC.
 DESCRIPTION, OPERATION, INSTALLATION AND MAINTENANCE MANUAL
 ELT 3000 / ELT 3000 HM

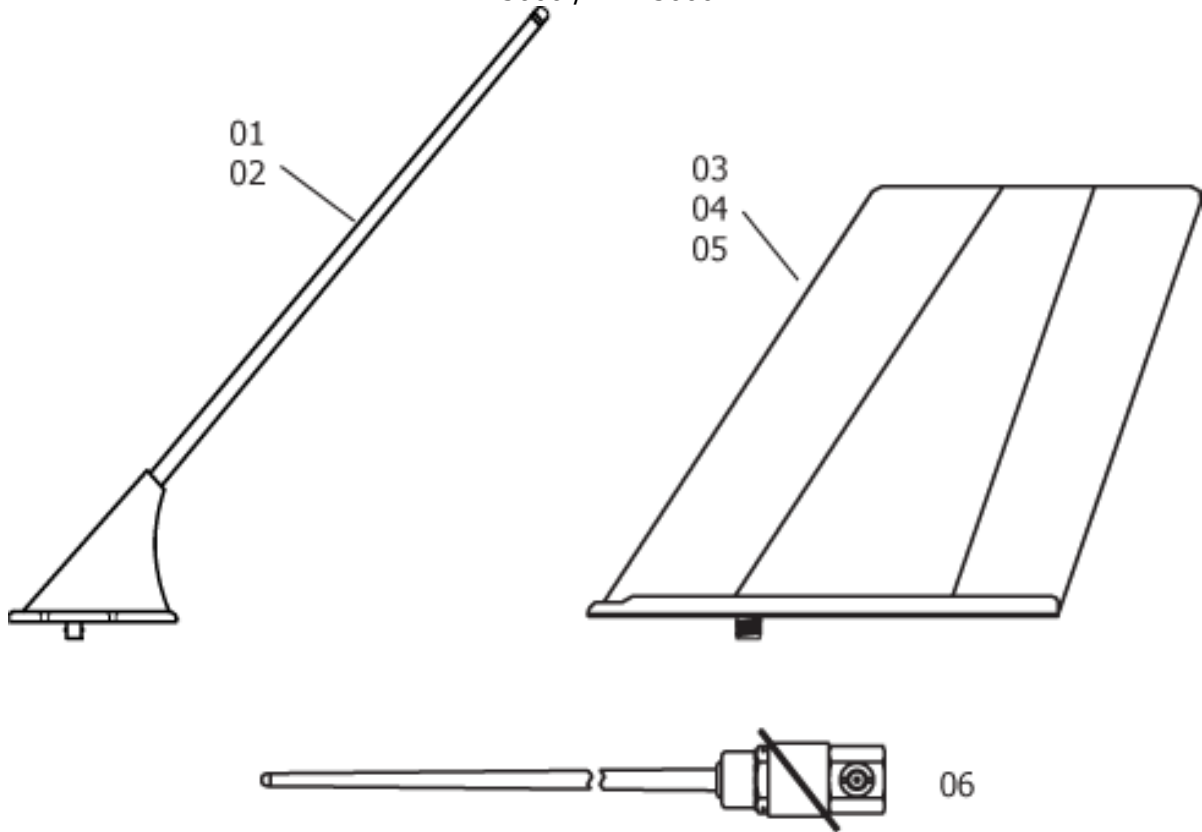


Figure 29 Antennas

<u>ITEM</u>	<u>PART #</u>	<u>DESCRIPTION</u>	<u>QTY</u>
01	110-338	Antenna, Rod, White (single input)	1
02	110-338-01	Antenna, Rod, Black (single input)	1
03	110-340	Antenna, 121.5/243/406 MHz, Blade, White	1
04	110-340-01	Antenna, 121.5/243/406 MHz, Blade, Gray w/protective edge	1
05	110-341	Antenna, 121.5/243/406 MHz, Blade, White	1
06	110-343	Antenna, 121.5/243/406 MHz, Whip	1
	611-6013-04	Cable, coax, BNC to BNC, 6'	1

Table 10 Antennas

ARTEX PRODUCTS / ACR ELECTRONICS, INC.
DESCRIPTION, OPERATION, INSTALLATION AND MAINTENANCE MANUAL
ELT 3000 / ELT 3000 HM

APPENDIX A – ELT REGISTRATION

1. Background Information

A. Hex ID Code (15-Hex ID)

- 1) A Hexadecimal Identification (Hex ID) is a series of digits consisting of letters A-F and numbers 0-9 that identifies an individual beacon.
- 2) The Hex ID is a message that is programmed into the beacon and is transmitted when the beacon is activated and allowed to operate for about 50 seconds, or longer.
- 3) The 15 digit version of the Hex ID (15-Hex ID) is labeled on the outside of the each beacon.
- 4) Each 406 MHz ELT is programmed with a unique hex ID code (i.e., registration code) that is transmitted to the SAR satellite system. At a minimum, this code provides information regarding:
 - a) Unique aircraft or ELT identification,
 - b) Country of origin, and
 - c) Latitude and longitude position data, when connected to aircraft navigation system.
- 5) If the beacon is reprogrammed to a new protocol, aircraft tail number, different country, etc., the 15 Hex ID changes and the beacon requires relabeling.

B. Reason for Registration

- 1) ELT registration aids the Rescue Coordination Center (RCC) in determining if an actual emergency exists by accessing a database containing the registration information, which facilitates inquiries as to the whereabouts of the aircraft, existence of a flight plan, etc.
 - a) Owner's name,
 - b) Address,
 - c) Telephone number,
 - d) Aircraft type and registration number.

C. Registration Information Resources

- 1) Refer to Cospas-Sarsat documents G.005 and S.007 for information regarding ELT programming and registration. These documents are available at www.cospas-sarsat.int.

ARTEX PRODUCTS / ACR ELECTRONICS, INC.
DESCRIPTION, OPERATION, INSTALLATION AND MAINTENANCE MANUAL
ELT 3000 / ELT 3000 HM

2. Registration

A. Responsibility

- 1) It is the responsibility of the aircraft owner to register the ELT.
 - a) If an ELT is moved to a different aircraft (i.e., an aircraft other than the one it was originally installed on), and/or the aircraft is registered in a new country, the ELT must be re-programmed and re-registered.
 - b) If the aircraft is registered in a new country, the ELT must be re-programmed and re-registered.
 - c) The product label must be re-marked with the new HEX ID code to indicate new programming, if applicable.

B. Required Information

- 1) The following information is required when registering an ELT:
 - a) The unique Hex ID code printed on the ELT product label,
 - b) The information listed below:
 1. Owner's name
 2. Address
 3. Telephone number
 4. Aircraft type and registration number
- 2) The information (i.e., address, telephone number, etc.), filed as part of the registration process, should be kept up to date.

C. Where to Register

- 1) In the United States, the National Oceanic and Atmospheric Administration (NOAA) is the registration agency.
- 2) Specific registration web sites and information may be found at:
 - a) The ARTEX products web site at <https://www.acrartex.com>, which has links to on-line registration sites and also a link to registration forms and instructions for a number of countries.
 - b) An ELT may also be registered in the United States by going directly to the NOAA ELT registration web site at <http://beaconregistration.noaa.gov>

NOTE: NOAA may also be contacted by mail at:
SARSAT Beacon
Registration

NSOF, E/SPO53

1315 East West Hwy

Silver Spring, MD 20910-
9684

or by phone at 1-888-212-7283 or 301-817-4565.

- 3) In other countries, the national civil aviation authority in the applicable country should be contacted to obtain registration information.

ARTEX PRODUCTS / ACR ELECTRONICS, INC.
DESCRIPTION, OPERATION, INSTALLATION AND MAINTENANCE MANUAL
ELT 3000 / ELT 3000 HM

APPENDIX B – PROGRAMMING ADAPTER OPTION

1. Description and Operation

A. Purpose

- 1) The Programming Adapter (PA) is an ELT 3000 option that provides the means to reprogram the ELT automatically every time the PA determines a new ELT with different programming has been placed in an aircraft.
- 2) This capability facilitates swapping ELTs from one aircraft to another when performing routine maintenance, etc., without losing a significant amount of time reprogramming ELTs.

B. Physical Description

- 3) The PA is housed in a back shell extension designed for use with the remote switch harness 22-position plug that mates with the ELT.
- 4) The PA circuitry is encapsulated in the back shell extension and has six wires, with pre-installed contact sockets, that exit the rear of the PA. See Figure 30.
- 5) A wire path through the back shell allows passage of the remote switch wires and other wires associated with ELT installation.

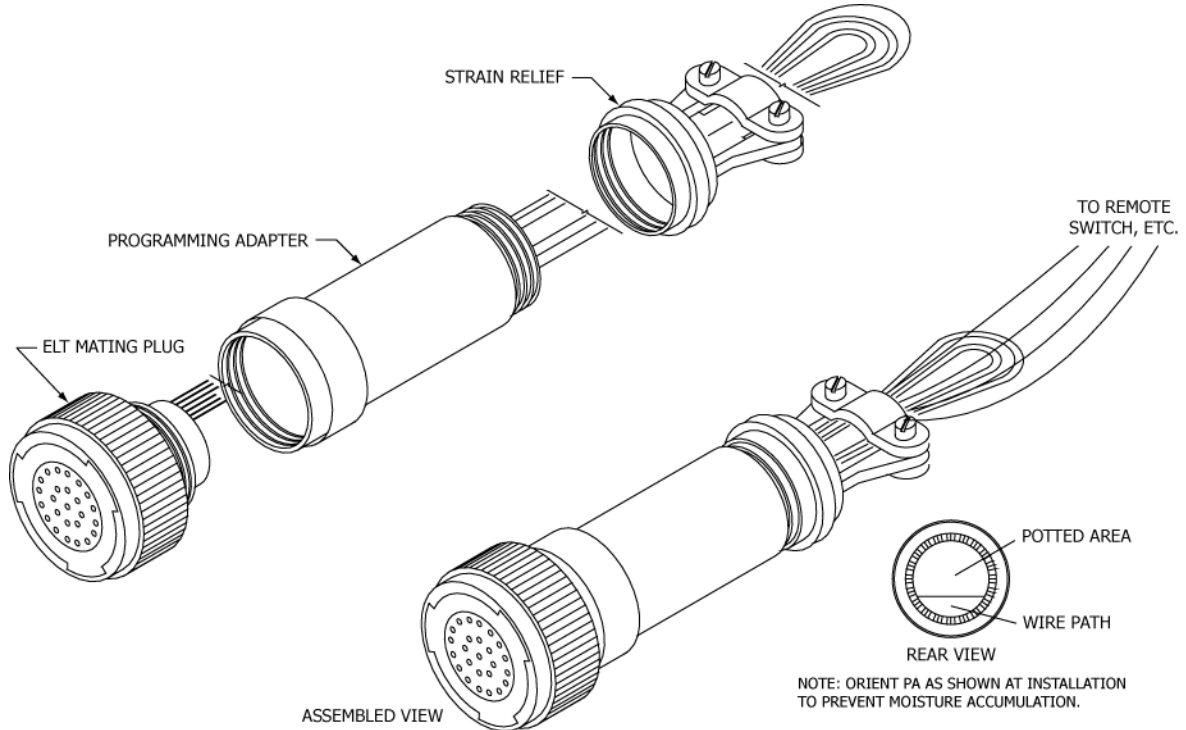


Figure 30 Programming Adapter

C. Functional Description

- 1) The programming adapter is a configurable option on the ELT via external tools.
- 2) When the programming adapter option is disabled on the ELT, the ELT bypasses PA detection on power up and initiated self-test. The ELT power up sequence is initiated by aircraft power or "Armed" mode.
- 3) If the programming adapter option is enabled on the ELT, the ELT transfers the PA UIN and option settings from the PA to its internal memory on power up.
- 4) The ELT updates its internal memory UIN only if the data checksum on the PA is correct and there is a mismatch between the PA UIN checksum and the ELT UIN checksum.

ARTEX PRODUCTS / ACR ELECTRONICS, INC.
DESCRIPTION, OPERATION, INSTALLATION AND MAINTENANCE MANUAL
ELT 3000 / ELT 3000 HM

- 5) The ELT bypasses PA detection if the previously activated state of the ELT was Transmit mode on power-up.
- 6) The ELT continuously displays an error code by flashing the unit and remote LED (LED on legacy 5-wire switch or 2-wire switch) with two pulses of 1/2 second duration with 1/2 second spacing (as defined in EIR No 11 but without aural indicator) if one of the following conditions occurs on power up:
 - a) UIN and option settings transfer is unsuccessful.
 - b) ELT failed to update its internal memory with the PA UIN and option settings.
 - c) The ELT is not in activation state.
- 7) The ELT continuously display an error code by flashing the unit and remote LE (LED on legacy 5-wire switch or 2-wire switch) with two pulses of 1/2 second duration with 1/2 second spacing if one of the following conditions occurs during a self-test:
 - a) UIN and option settings transfer is unsuccessful after 2 consecutive queries.
 - b) ELT failed to update its internal memory with the PA UIN and option settings.
 - c) The ELT is not in activation state.

D. Operation

- 1) PA operation is automatic.
- 2) The ELT is reprogrammed with aircraft ID information using +28 VDC aircraft power when applied to the ELT.

2. Installation and Programming

A. General

NOTE: When the programming adapter is enabled, it has the ability to store any protocol, not just the 24 bit address and tail number.

- 1) If the ELT is configured for a Programming Adapter, the Programming Adapter is contained in the wiring bundle that stores the aircraft identification. The Programming Adapter contains a bi-directional I2C memory chip. The Programming Adapter memory is readable and writable from the ELT, and a protocol to receive and send memory contents is available through the serial port.
- 2) The ELT options are also stored on the Programming Adapter.

ARTEX PRODUCTS / ACR ELECTRONICS, INC.
 DESCRIPTION, OPERATION, INSTALLATION AND MAINTENANCE MANUAL
 ELT 3000 / ELT 3000 HM

B. Wiring

- 1) Coordinate installation of the PA with installation of the remote switch harness ELT plug. Refer to ELT 22-Pin Plug Installation on page 63.
- 2) If the PA is undergoing installation on an aircraft with an existing ELT and remote switch harness, perform the following procedure, otherwise proceed to Step (3):
 - a) Loosen the strain relief clamp and unscrew the strain relief from the plug body.
 - b) Remove the wiring from the ELT mating plug by extracting the contact sockets using extraction tool MS27495R22MS, or equivalent.
 - c) Remove the jumper from Pin 3 and Pin 4.
 - d) Remove the sealing grommet plugs and empty contact sockets from Pin locations 1, 2, 4, and 11.
- 3) Loop the PA wires back through the wire path such that they exit at the front of the PA. See Figure 30 on page 76.
- 4) Terminate the contact sockets of the six PA wires in the remote switch harness ELT plug using insertion tool MS27495A22MS, or equivalent. See Figure 31.

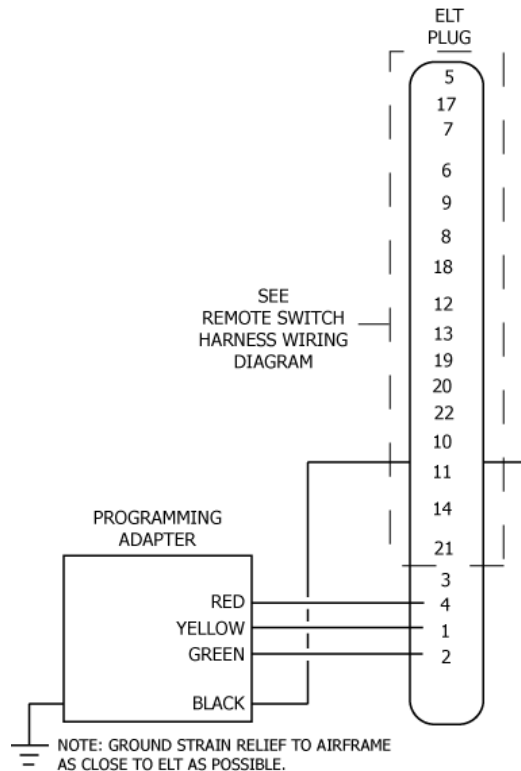


Figure 31 Programming Adapter Interface Wiring Diagram

- 5) Feed the remote switch harness wires and other wires associated with the ELT installation through the strain relief.

NOTE: Slide heat shrink tubing of suitable size over the wires, if desired. The diameter of the tubing must be large enough to accommodate the PA wire loop that extends back beyond the strain relief clamp.

- 6) Feed the remote switch harness wires and other wires associated with the ELT installation through the PA wire path.

ARTEX PRODUCTS / ACR ELECTRONICS, INC.
DESCRIPTION, OPERATION, INSTALLATION AND MAINTENANCE MANUAL
ELT 3000 / ELT 3000 HM

- 7) Terminate the remote switch harness wires and other wires associated with the ELT installation in the ELT plug in accordance with ELT 22-Pin Plug Installation on page 63.

C. Assembly

CAUTION: ORIENT THE PA BODY TO THE PLUG SUCH THAT THE WIRE PATH IS AT THE BOTTOM. THIS ORIENTATION PREVENTS MOISTURE BUILDUP IN THE PA AND AROUND THE BACK OF THE PLUG.

- 1) Screw the PA body (i.e., back shell extension) onto the ELT plug, taking care not to twist the wires while rotating the back shell extension coupling. See Figure 30 on page 76 for PA body orientation.

NOTE: Apply finger pressure in the center of the ELT plug face to prevent it from rotating and twisting the wires while tightening the coupling.

- 2) Shrink the heat shrink tubing, if installed.
- 3) Screw the strain relief onto the back shell extension.
- 4) Tighten the strain relief clamp.
- 5) Verify the strain relief is grounded to the airframe in accordance with Airframe Ground Connections on page 64.

D. Installation

- 1) See Figure 32.
- 2) Install the PA assembly on the ELT in the same manner that the remote switch harness ELT plug is normally coupled to the ELT receptacle. See Installation on page 65.
- 3) After system operation is verified, with no errors displayed, it is suggested that the harness connector to the ELT be sealed against moisture. This is best accomplished by encapsulating the exposed connections in silicone sealant. ACR recommends Dow Corning® 4 Electrical Insulating Compound or an equivalent meeting SAE AS-8660 (MIL-S8660C)
 - a) Disconnect the PA circular plug from the ELT.
 - b) Separate the circular connector strain relief from the connector.
 - c) Inject sealant into the back side of the plug, so that sealant surrounds all exposed electrical connections and the back of the plug.
 - d) Re-seat the circular connector strain relief to the connector.
 - e) Coat the mating pins/receptacles lightly with sealant.
 - f) Re-connect the PA Circular plug to the ELT.

ARTEX PRODUCTS / ACR ELECTRONICS, INC.
DESCRIPTION, OPERATION, INSTALLATION AND MAINTENANCE MANUAL
ELT 3000 / ELT 3000 HM

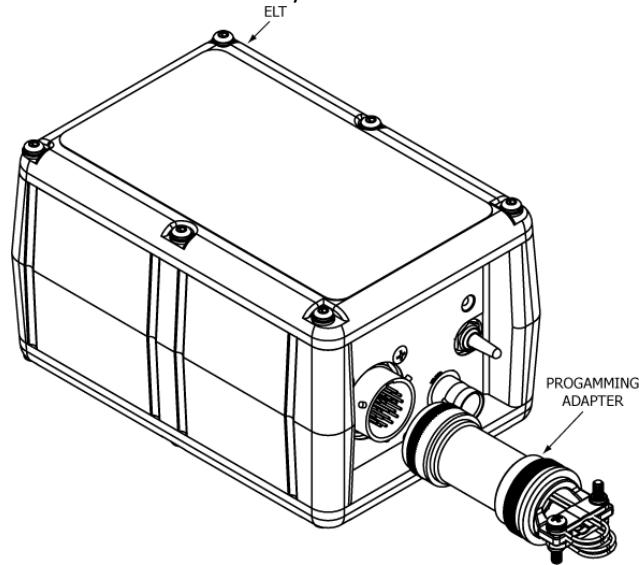


Figure 32 Programming Adapter Installation

E. PA Programming

CAUTION: THE PROGRAMMING AND LABELING OF THE ELT MUST MATCH THE AIRCRAFT IN WHICH IT IS INSTALLED. REMARK THE ELT PRODUCT LABEL AS NECESSARY TO REFLECT NEW PROGRAMMING AND/OR COUNTRY OF REGISTRY. CONTACT THE LOCAL REGULATORY AUTHORITIES RESPONSIBLE FOR ELT REGISTRATION. SEE APPENDIX A – ELT REGISTRATION ON PAGE 74.

- 1) The PA may be programmed with any aircraft ID [i.e., 24-bit address or registration number (tail number)].
- 2) The A3-06-2868 PA is available from ACR Electronics pre-programmed with an aircraft ID.
- 3) An alternative version of the PA (A3-06-2869) is available unprogrammed (blank).
- 4) Either version of the PA can be programmed in the field. Contact ACR Electronics for the hardware and software required to program the PA.

F. Example Programming Scenarios

- 1) This section highlights use cases for the Programming Adapter.
- 2) Case 1: Programming Adapter not enabled.
 - a) The ELT functions as if there is no Programming Adapter attached. The Self-Test displays an error by flashing the unit and remote LED (LED on legacy 5-wire switch or 2-wire switch) with two pulses of ½ second duration with ½ second spacing if a Programming Adapter is detected and the ELT is not in activation state.
 - b) If the Programming Adapter is disabled and the Programming Adapter is not present, there is no error.
- 3) Case 2: Programming Adapter enabled but Programming Adapter not present.
 - a) The Self-Test displays an error by flashing the unit and remote LED (LED on legacy 5-wire switch or 2-wire switch) with two pulses of ½ second duration with ½ second if the Programming Adapter is not detected and the unit is not in activation state. This error continues to flash until the Programming Adapter issue is resolved.
- 4) Case 3: Programming Adapter enabled, Programming Adapter present

ARTEX PRODUCTS / ACR ELECTRONICS, INC.

DESCRIPTION, OPERATION, INSTALLATION AND MAINTENANCE MANUAL ELT 3000 / ELT 3000 HM

- a) Case 3a: ELT UIN and PA UIN mismatch: The ELT transfers the Programming Adapter UIN and option settings on the first power-up. If reprogramming is successful, the remaining functions behave normally. If the reprogramming was not successful, a self-test error is displayed continuously by flashing the unit and remote LED (LED on legacy 5-wire switch or 2-wire switch) with two pulses of ½ second duration with ½ second spacing. The ELT should be reset to the "Data Transfer Identification" UIN to attempt the data transfer.
- b) Case 3b: ELT and UIN match: No further action required.

G. Aircraft ID Verification Test

- 1) Apply +28 VDC power to the ELT. The ELT is not activated, only the +28 VDC power source for the ELT is active, which initiates ELT reprogramming. Refer to Table 6 on page 41 if a long/short 2-flash error code is displayed on the ELT status LED when power is applied.
- 2) Disconnect the antenna coax cable at the ELT.
- 3) Read the ELT message following the instructions in Digital Message Verification – Item 5g on page 35.
- 4) Re-register the ELT, if necessary, in accordance with the instructions in Appendix A – ELT Registration on page 74.
- 5) Re-mark the ELT product label with the new hex ID code and country of registry, as applicable. See Appendix A – ELT Registration on page 74.